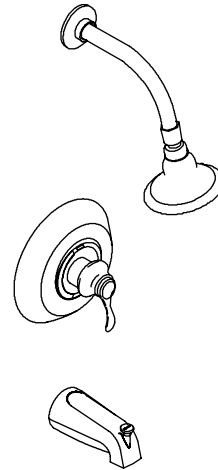


Features

- Metal construction
- Intended for use with Rite-Temp® or HiFlow Rite-Temp® valves
- Lever handle
- Includes showerhead with arm and flange, 4-7/8" (124 mm) diverter spout with NPT or slip-fit connection, and faceplate with handle [K-T12007]
- Includes showerhead with arm and flange, and faceplate with handle [K-T12014]
- 2.0 gpm (7.6 lpm) showerhead with Katalyst™ Spray Technology

BATH AND SHOWER VALVE TRIM K-T12007 ALSO K-T12014



Codes/Standards Applicable

Specified model meets or exceeds the following:

- ASME A112.18.1/CSA B125.1


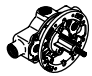
Colors/Finishes

- CP: Polished Chrome
- PB: Polished Brass
- Other: Refer to Price Book for additional colors/finishes

Specified Model

Model	Description	Colors/Finishes		
K-T12007-4E	Bath and shower valve trim – NPT diverter bath spout	<input type="checkbox"/> CP	<input type="checkbox"/> PB	<input type="checkbox"/> Other____
K-T12007-4SE	Bath and shower valve trim – slip-fit diverter bath spout	<input type="checkbox"/> CP	<input type="checkbox"/> PB	<input type="checkbox"/> Other____
K-T12014-4E	Shower valve trim with lever handle	<input type="checkbox"/> CP	<input type="checkbox"/> PB	<input type="checkbox"/> Other____


Rite-Temp valve must be ordered to complete faucet.

Required Accessories			
K-304-*	Rite-Temp® valve OR	<input type="checkbox"/> NA	
K-2971-KS	HiFlow Rite-Temp valve with stops		<input type="checkbox"/> NA

* For a complete listing of all the Rite-Temp valves, refer to the K-304-* Specification sheet or Roughing-in sheet.

Product Specification

Valve trim with lever handle shall be made of metal construction. Product shall be intended for use with Rite-Temp or HiFlow Rite-Temp valves. Bath and shower valve trim shall include showerhead with arm and flange, 4-7/8" (124 mm) diverter spout with NPT or slip-fit connection, and faceplate with handle. Shower valve trim shall include showerhead with arm and flange, and faceplate with handle. Product shall feature 2.0 gpm (7.6 lpm) showerhead with Katalyst Spray Technology. Valve trim shall be Kohler Model K-T____-____-____ with K-304-____-NA Rite-Temp valve **OR** K-2971-KS-NA HiFlow Rite-Temp valve.

Optional Accessories					
K-12002	Plug button set	<input type="checkbox"/> Other__			
88526	HiFlow Rite-Temp thin wall installation Kit		<input type="checkbox"/> CP	<input type="checkbox"/> PB	<input type="checkbox"/> Other__

Installation Notes

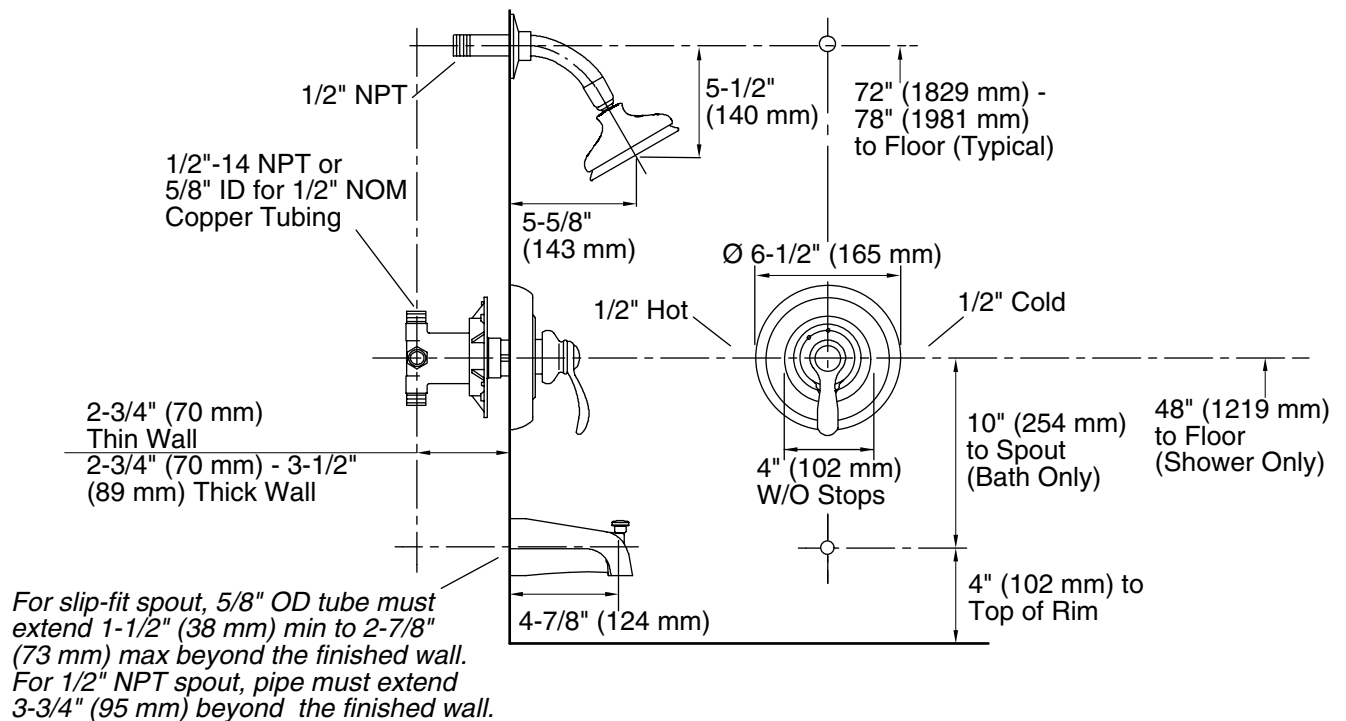
Install this product according to the installation guide.

NOTICE: Risk of product damage. Long screws, for installing trim, can damage the K-2971-KS valve. Consult the trim installation guide to verify if the thin wall installation kit (88526) is needed.

Avoid cross-flow conditions. Do not install shut-off device on either valve outlet.

Cap shower outlet if deck-mount spout, diverter, or handshower is connected to spout outlet.

Install straight pipe or tube drop of 7" (178 mm) to 18" (457 mm) with single elbow between valve and wall-mount spout.



Product Diagram