

### Features

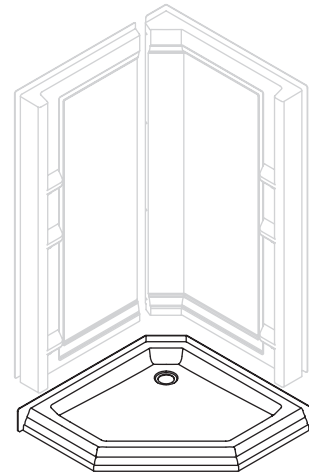
- *Fiberglass (FRP)*
- *42-1/4" (107.3 cm) x 42-1/4" (107.3 cm) x 4-1/2" (11.4 cm)*

### Codes/Standards Applicable

Specified model meets or exceeds the following:

- *ANSI Z124.2*
- *IAPMO/UPC*
- *CSA B45*
- *Listed in State of Massachusetts*
- *Listed in Dade County, Florida*

## 42" FRP SHOWER RECEPTOR K-9468



### Colors/Finishes

- 0: White
- Other: Refer to Price Book for additional colors/finishes

### Accessories:

- CP: Polished Chrome
- SH: Bright Silver
- B1: Intrex™
- L: Clear

### Specified Model

Model	Description	Colors/Finishes			
K-9468	Shower receptor	<input type="checkbox"/> 0 White	<input type="checkbox"/> Other_____		
Recommended Accessories		Glass Options		Colors/Finishes	
K-9132	Drain	<input type="checkbox"/> L	<input type="checkbox"/> B1	<input type="checkbox"/> CP	<input type="checkbox"/> Other_____
K-702300	Shower door (Use with K-1675 walls)	<input type="checkbox"/> L	<input type="checkbox"/> B1	<input type="checkbox"/> SH	<input type="checkbox"/> Other_____

### Product Specification

The one-piece shower receptor shall be 42-1/4" (107.3 cm) in length, 42-1/4" (107.3 cm) in width, and 4-1/2" (11.4 cm) in height. Shower receptor shall be made of fiberglass (FRP). Shower receptor shall be Kohler Model K-9468-\_\_\_\_\_.

# Memoirs™

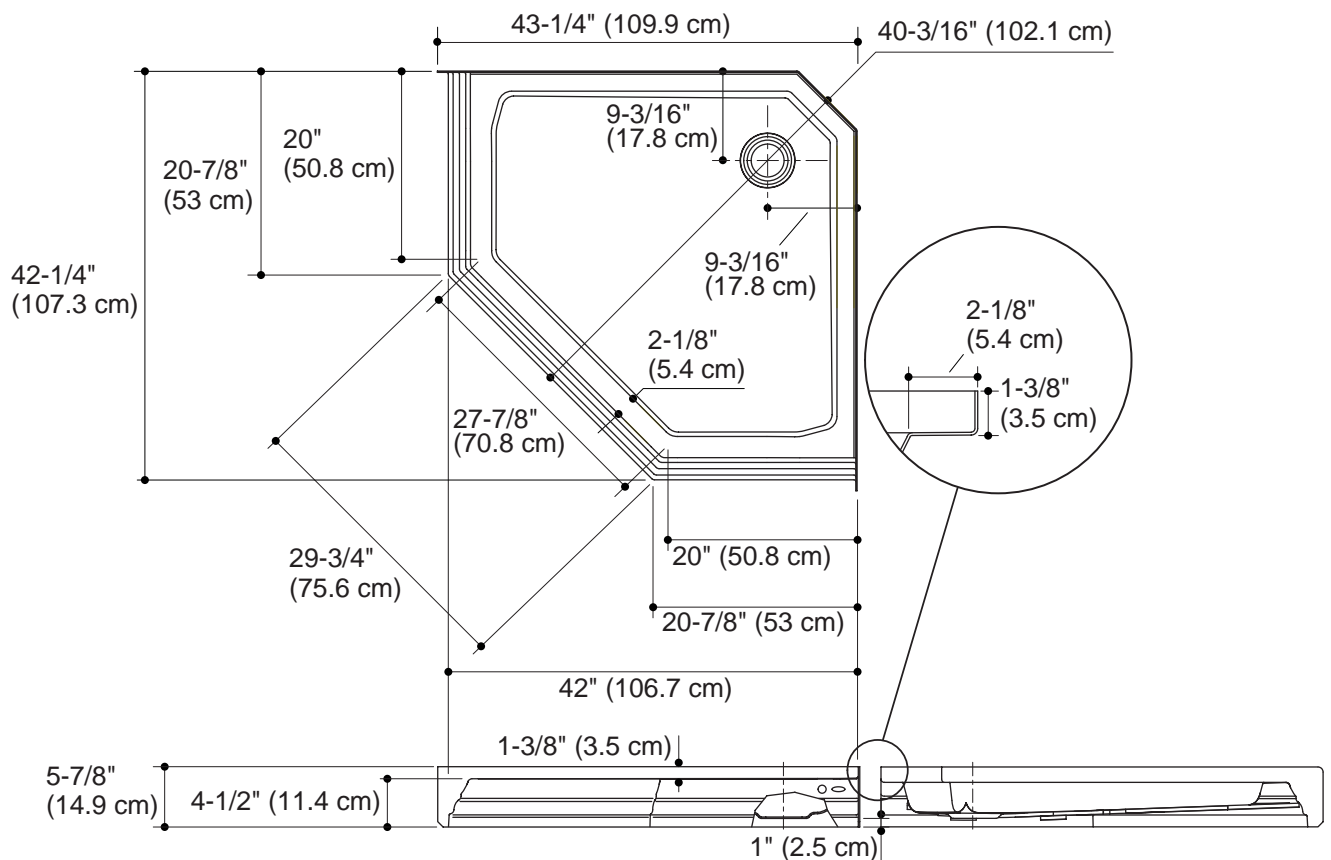
## Technical Information

Fixture:	
Weight	35 lbs. (16 kg)
Outlet	3-3/8" D. (8.6 cm)
Configuration	1-piece

## Installation Notes

Install this product according to the installation guide.

Stud opening tolerance (+ 1/4" (6 mm) -0). When fire rated wall is specified, dimensions are to the inside of the wall board. Some shimming between stud frame and fixture may be required.



**Product Diagram**