

Product Information

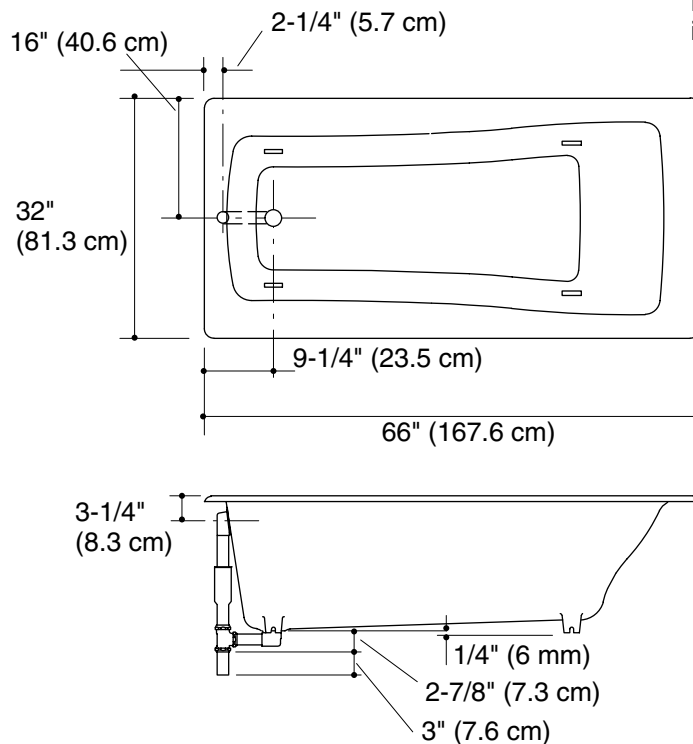
Applicable product:	
Bath – with grip rail drillings	K-839
Bath – less grip rail drillings	K-840
Bath will comply with the Americans with Disabilities Act when installed with seat at head end. ADA	
Fixture*:	
Bathing well:	
Basin area, bottom	47" (119.4 cm) x 21" (53.3 cm)
Basin area, top	57" (144.8 cm) x 25" (63.5 cm)
Weight	350 lbs (158.8 kg)
To overflow:	
Water depth	13" (33 cm)
Capacity	55 gal (208.2 L)
* Approximate measurements for comparison only.	
Drop-in cut-out	64-1/2" (163.8 cm) x 30-1/2" (77.5 cm)
Required accessories:	
Grip rails – pair [for K-839]	K-9621

Installation Notes

Install this product according to the installation guide.

Floor support under the bath must provide for a minimum of 57 lbs/square foot (277.7 kg/square meter) loading.

Fixture dimensions are nominal and conform to tolerances in ASME Standard A112.19.1.



No change in measurements if connected with drain illustrated.

