

Features

- Brass construction
- Compression valve
- Vertical metal tube with union connection
- Flange

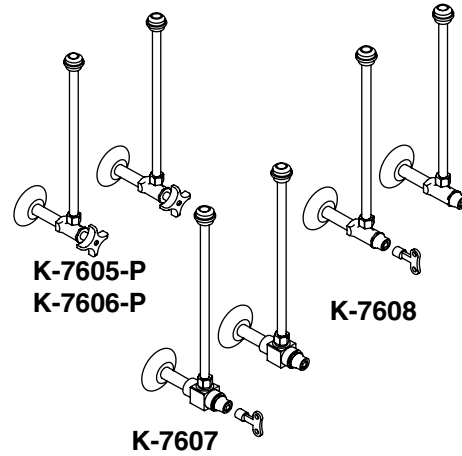
Codes/Standards Applicable

Specified model meets or exceeds the following:

- ASME A112.18.1/CSA B125.1
- IAPMO/cUPC
- NSF 61

ANGLE SUPPLY WITH STOP, PAIR
K-7605-P

ALSO K-7606-P, K-7607, K-7608



Colors/Finishes

- CP: Polished Chrome
- PB: Vibrant® Polished Brass
- Other: Refer to Price Book for additional colors/finishes

Specified Model

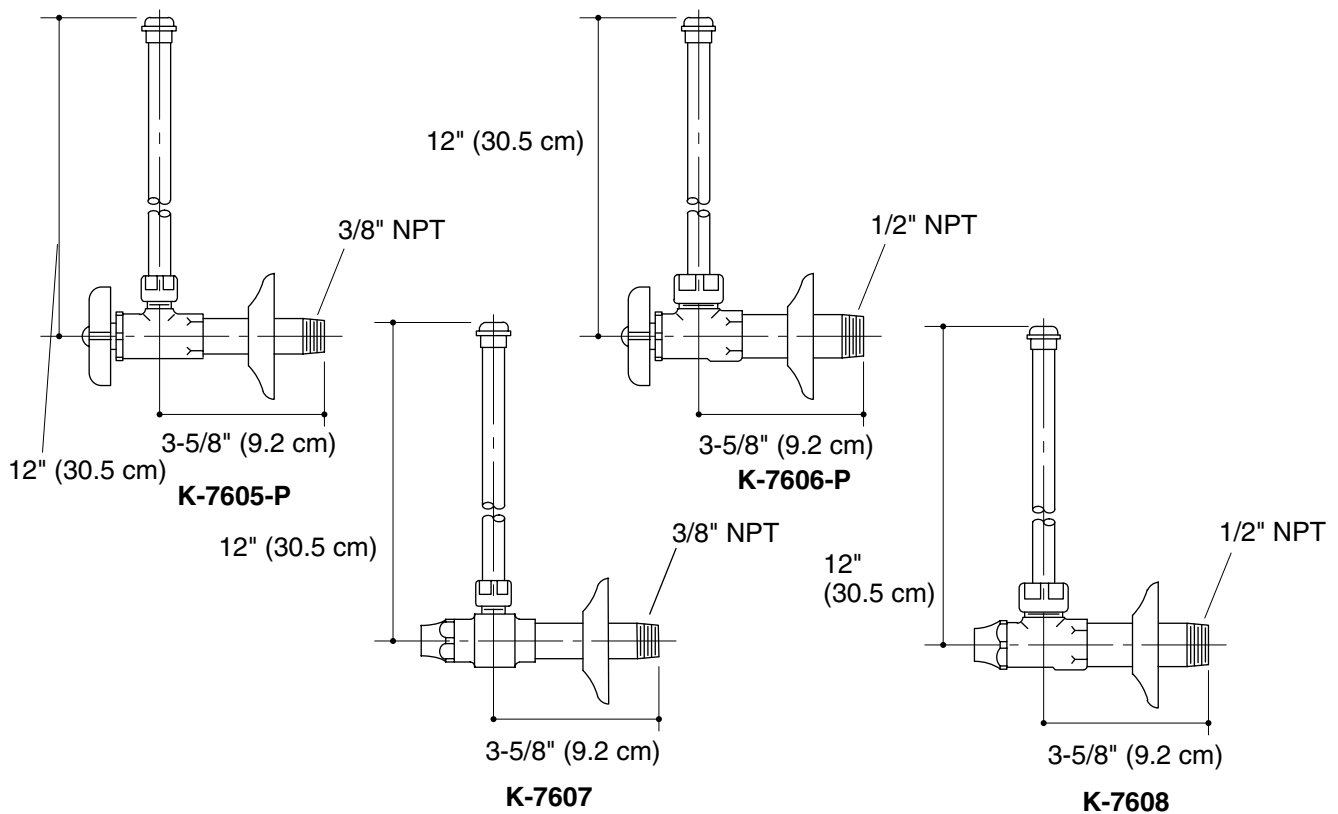
Model	Description	Colors/Finishes		
		<input type="checkbox"/> CP	<input type="checkbox"/> PB	<input type="checkbox"/> Other_____
K-7605-P	Angle supply with stop, pair with 3/8" NPT connection and four-arm handle stop	<input type="checkbox"/> CP	<input type="checkbox"/> PB	<input type="checkbox"/> Other_____
K-7606-P	Angle supply with stop, pair with 1/2" NPT connection and four-arm handle stop	<input type="checkbox"/> CP	<input type="checkbox"/> PB	
K-7607	Angle supply with stop, pair with 3/8" NPT connection and loose key stop	<input type="checkbox"/> CP		
K-7608	Angle supply with stop, pair with 1/2" NPT connection and loose key stop	<input type="checkbox"/> CP		

Product Specification

Angle supply with stop shall be of brass construction. Product shall feature a compression valve. Product shall include flange, and vertical metal supply tube with union connection. Supply (pair) shall be Kohler Model K-_____-_____.

Installation Notes

Install this product according to the installation guide.



Product Diagram

ANGLE SUPPLY WITH STOP, PAIR

Page 2 of 2
115085-4-BC

THE BOLD LOOK
OF **KOHLER**