

Features

- Brass construction
- Available with cross or lever handles
- Front seal plate assembly
- Handle assembly
- Complements Purist® Suite

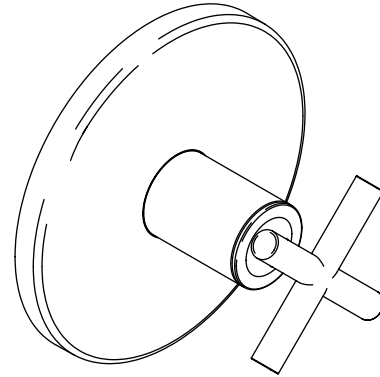
THERMOSTATIC FAUCET TRIM
K-T14488
ALSO K-T14489, K-T14490, K-T14491

ADA

Codes/Standards Applicable

Specified model meets or exceeds the following:

- ASME A112.18.1
- CSA B125
- IAPMO/UPC
- ADA



Colors/Finishes

- CP: Polished Chrome
- Other: Refer to Price Book for additional colors/finishes
- NA: None applicable

Specified Model

For complete faucet, both faucet trim and valving must be specified.			
Model	Description	Colors/Finishes	
K-T14488-3	Thermostatic valve trim, cross handle	<input type="checkbox"/> CP	<input type="checkbox"/> Other ____
K-T14488-4	Thermostatic valve trim, lever handle	<input type="checkbox"/> CP	<input type="checkbox"/> Other ____
K-T14489-4	Stacked thermostatic valve trim, lever handle only	<input type="checkbox"/> CP	<input type="checkbox"/> Other ____
K-T14490-3	Volume control trim, cross handle	<input type="checkbox"/> CP	<input type="checkbox"/> Other ____
K-T14490-4	Volume control trim, lever handle	<input type="checkbox"/> CP	<input type="checkbox"/> Other ____
K-T14491-3	Transfer valve trim, cross handle	<input type="checkbox"/> CP	<input type="checkbox"/> Other ____
K-T14491-4	Transfer valve trim, lever handle	<input type="checkbox"/> CP	<input type="checkbox"/> Other ____

Required Accessory (continued on page 2)		
K-669-KS	3/4" Thermostatic valve	<input type="checkbox"/> NA
K-670-KS	3/4" Stacked thermostatic valve	<input type="checkbox"/> NA
K-671-K	3/4" Volume control	<input type="checkbox"/> NA
K-672-K	3/4" Transfer valve	<input type="checkbox"/> NA
K-679-KS	1/2" Thermostatic valve	<input type="checkbox"/> NA

Product Specification

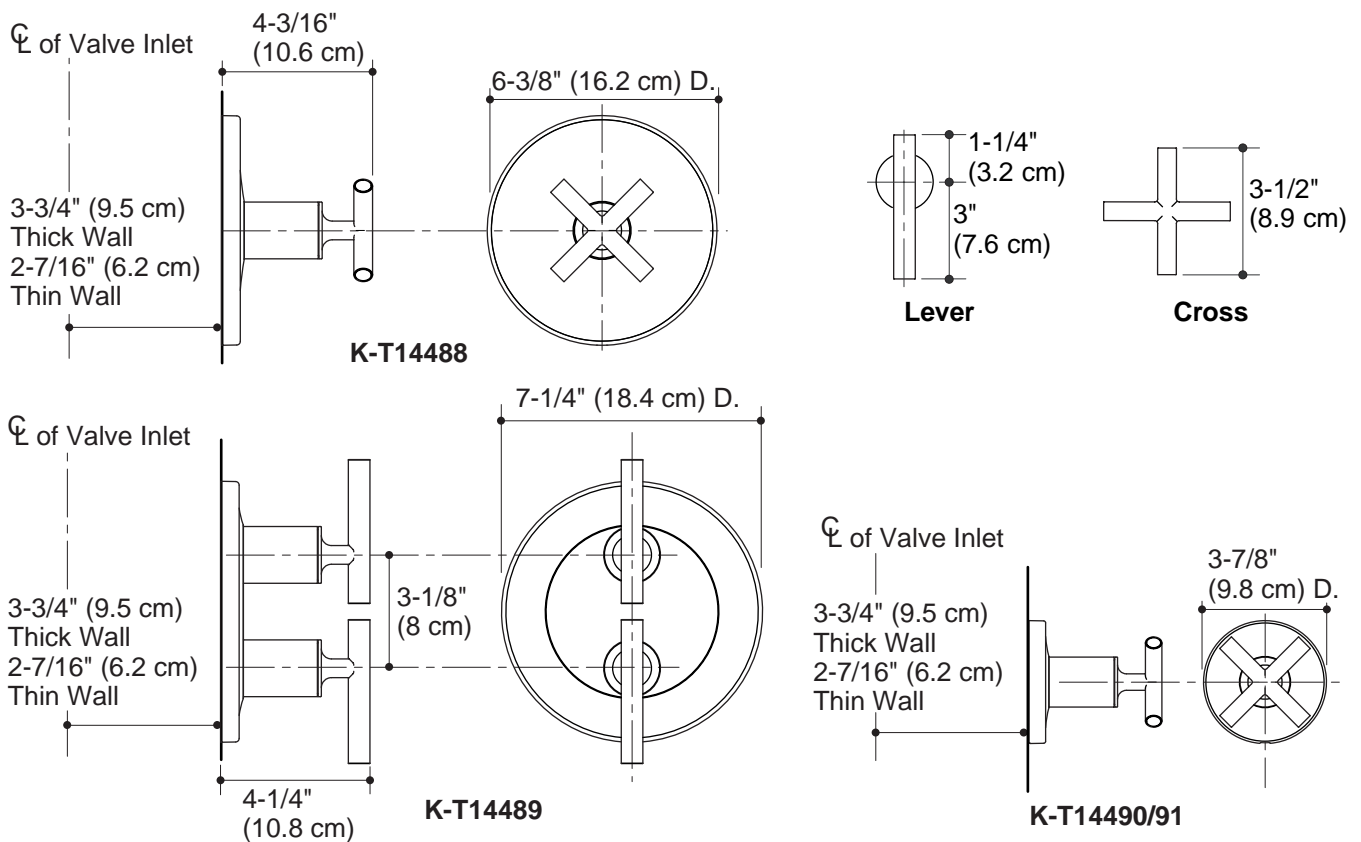
Thermostatic faucet trim shall be of brass construction. Trim shall include front seal plate assembly and handle assembly. Product shall be available with cross or lever handles. Thermostatic faucet trim shall complement the Purist® Suite. Faucet trim shall be Kohler Model K-T____-____-____ and thermostatic valving shall be K-____-____-NA.

PURIST®

K-680-KS	1/2" Stacked thermostatic valve	<input type="checkbox"/> NA
K-681-K	1/2" Volume control	<input type="checkbox"/> NA

Installation Notes

Install this product according to the installation guide.



Product Diagram