

**BATH HANDLE TRIM
K-T13141**

ADA

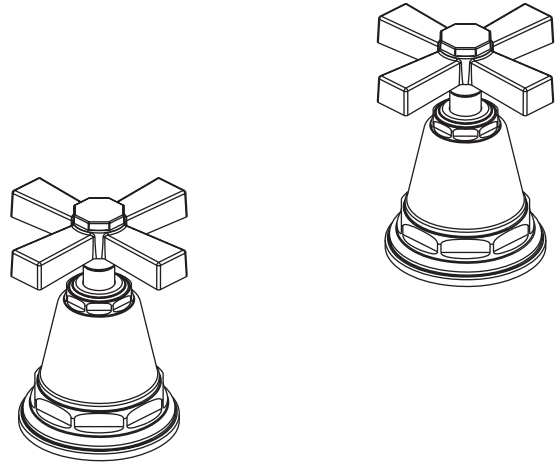
Features

- Brass construction
- Bath- or deck-mount
- Variety of handle style options

Codes/Standards Applicable

Specified model meets or exceeds the following:



- ASME A112.18.1
- CSA B125


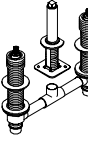
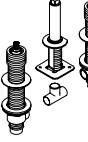
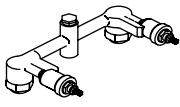


Colors/Finishes

- CP: Polished Chrome
- Other: Refer to Price Book for additional colors/finishes

Specified Model

Model	Description	 ADA	 ADA
K-T13141-3A	Bath valve trim, without spout, with plain cross handles	<input type="checkbox"/> CP <input type="checkbox"/> Other ____	
K-T13141-3B	Bath valve trim, without spout, with grooved cross handles		<input type="checkbox"/> CP <input type="checkbox"/> Other ____

Required Accessory					
K-300-K	1/2" High-flow valve system	<input type="checkbox"/> NA			
K-300-KR	1/2" High-flow valve system, rigid connections		<input type="checkbox"/> NA		
K-301-K	3/4" High-flow valve system			<input type="checkbox"/> NA	
K-302-K	1/2" wall-mount valve system				<input type="checkbox"/> NA

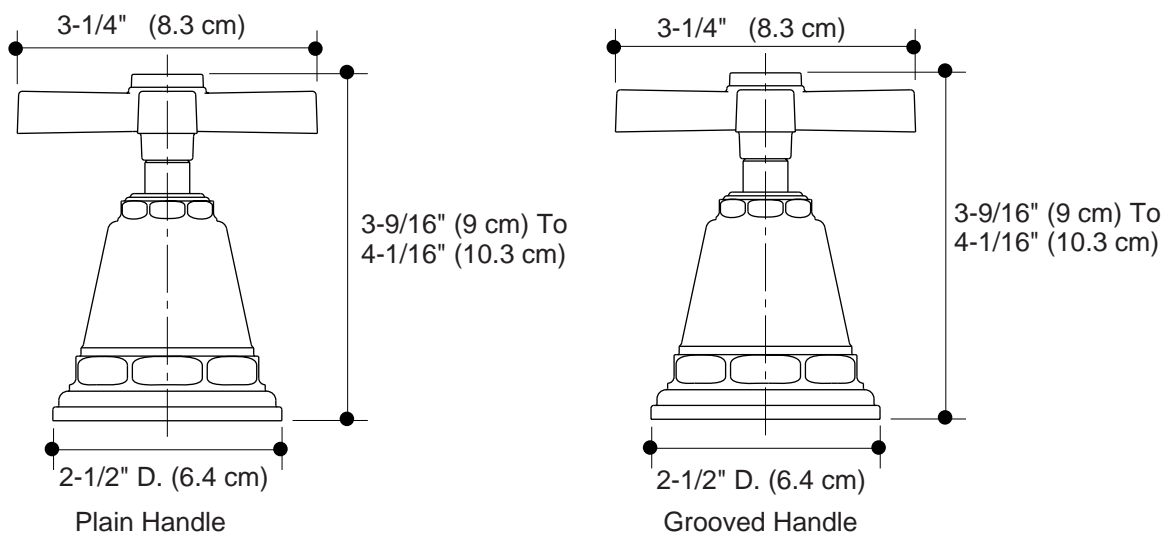
Product Specification

Two-handle deck- or bath-mount high-flow bath faucet trim shall be of brass construction. Trim shall include faucet handles. Faucet trim shall be Kohler Model K-T13141-____-____ and valve system shall be Kohler Model K-____-K____-NA.

PINSTRIPE™

Installation Notes

Install this product according to the installation guide.



Product Diagram