

Features

- Metal construction
- Intended for use with Rite-Temp or HiFlow Rite-Temp valves

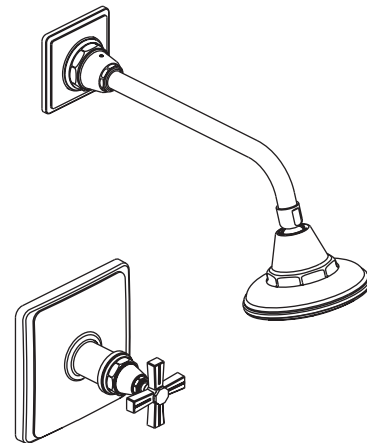
**SHOWER FAUCET TRIM
K-T13134
ALSO K-T13135**

ADA

Codes/Standards Applicable

Specified model meets or exceeds the following:

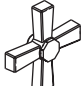
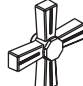
- ASME A112.18.1
- CSA B125
- IAPMO/UPC
- ADA



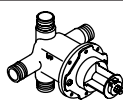
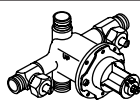
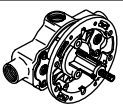
Colors/Finishes

- CP: Polished Chrome
- Other: Refer to Price Book for additional colors/finishes

Specified Model

Model	Description	 ADA	 ADA
K-T13134-3A*	Shower trim with plain cross handles, less diverter	<input type="checkbox"/> CP <input type="checkbox"/> Other ____	
K-T13134-3B*	Shower trim with grooved cross handles, less diverter		<input type="checkbox"/> CP <input type="checkbox"/> Other ____
K-T13135-3A*	Valve trim with plain cross handles, less diverter	<input type="checkbox"/> CP <input type="checkbox"/> Other ____	
KT-13135-3B*	Valve trim with grooved cross handles, less diverter		<input type="checkbox"/> CP <input type="checkbox"/> Other ____

* Requires either K-304-K, K-304-KS, or K-306-KS valve

Required Accessory				
K-304-K	Rite-Temp valve without stops	<input type="checkbox"/> NA		
K-304-KS	Rite-Temp valve with stops		<input type="checkbox"/> NA	
K-306-KS	HiFlow Rite-Temp valve with integral stops			<input type="checkbox"/> NA

Product Specification

Rite-Temp pressure-balancing single-control shower faucet trim shall be of metal construction. Shower trim shall include showerhead with arm and flange, and faceplate with handle. Valve only trim shall include faceplate with handle. Faucet trim shall be K-____-____-____ and Rite-Temp valve shall be K-____-____-NA.

PINSTRIBE™

Installation Notes



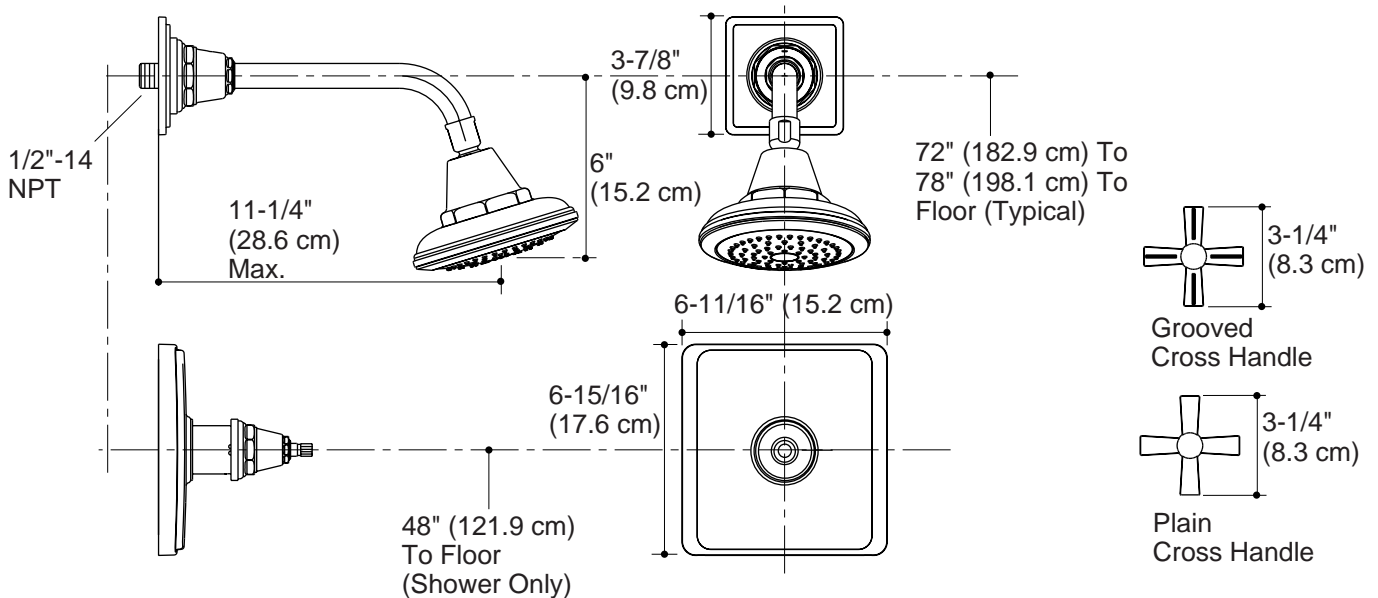
CAUTION: Risk of damage to the K-306-KS valve assembly. When using the K-306-KS valve in a fiberglass or acrylic installation, use the thin wall installation kit (88526).

Install this product according to the installation guide.

Avoid cross-flow conditions. Do not install shut-off device on either valve outlet.

Cap shower outlet if deck-mount spout, diverter, or handshower is connected to spout outlet.

Install straight pipe or tube drop of 7" (17.8 cm) to 18" (45.7 cm) with single elbow between valve and wall-mount spout.



Product Diagram