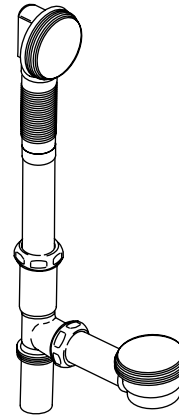


TOE TAP BATH DRAIN
K-7259
ALSO K-7265

Features

- Metal construction
- 20-gauge brass pipe
- Toe-activated closing
- No internal linkages to minimize the potential for clogging
- Flexible overflow joint conforms to various bath angles
- Above- or through-the-floor installation offers installation flexibility
- Includes a tee, drain ell, and overflow ell with attached 1-1/2" OD pipe
- Vibrant PVD finishes available



Codes/Standards Applicable

Specified model meets or exceeds the following:

- ASME A112.18.2/CSA B125.2

Colors/Finishes

- CP: Polished Chrome
- Other: Refer to Price Book for additional colors/finishes

Specified Model

Model	Description	Colors/Finishes	
K-7259	Toe tap bath drain	<input type="checkbox"/> CP	<input type="checkbox"/> Other _____
K-7265	Toe tap bath drain	<input type="checkbox"/> CP	<input type="checkbox"/> Other _____

Product Specification

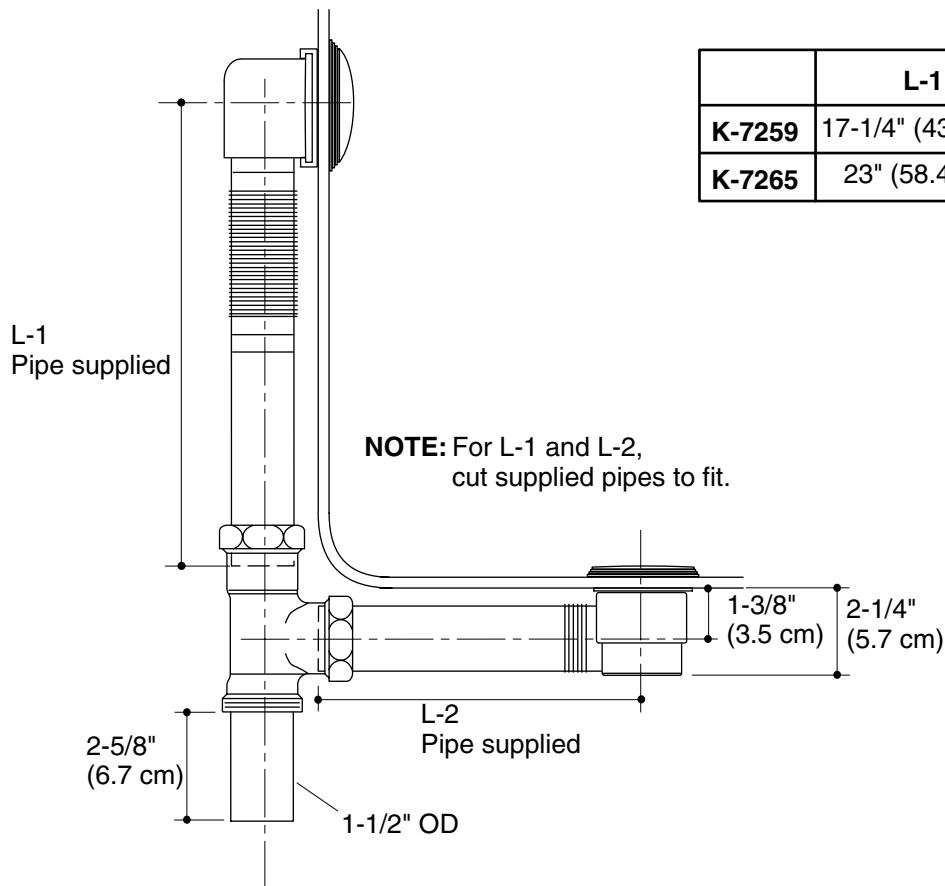
The toe tap bath drain shall be of made of metal construction with 20-gauge brass pipe. Product shall feature toe-activated closing with no internal linkages to minimize the potential for clogging. Product shall feature a flexible overflow joint that conforms to various bath angles. Product shall have vibrant PVD finishes available. Product shall include a tee, drain ell, and overflow ell with attached 1-1/2" OD pipe. Product shall be for above- or through-the-floor installation that offers installation flexibility. Bath drain shall be Kohler Model K-7259-____ and K-7265-____.

CLEARFLO

Installation Notes

Install this product according to the installation guide.

The elbow brass pipe subassemblies noted as L-1 and L-2 must be cut to the correct length.



	L-1	L-2
K-7259	17-1/4" (43.8 cm)	8-1/4" (21 cm)
K-7265	23" (58.4 cm)	18" (45.7 cm)

Product Diagram