

**IV GEORGES BRASS™**

**Features**

- Brass construction
- Available with lever handle
- Handle assembly
- Front seal plate assembly
- Complements IV Georges Brass™ Suite

**THERMOSTATIC FAUCET TRIM**

**K-T10680**

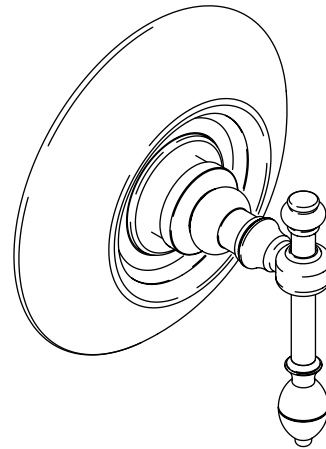
ALSO K-T10681, K-T10682

ADA

**Codes/Standards Applicable**

Specified model meets or exceeds the following:

- ASME A112.18.1
- CSA B125
- IAPMO/UPC
- ADA



**Colors/Finishes**

- PB: Polished Brass
- Other: Refer to Price Book for additional colors/finishes
- NA: None applicable

**Specified Model**

For complete faucet, both faucet trim and valving must be specified.			
Model	Description	Colors/Finishes	
K-T10680-4	Thermostatic valve trim	<input type="checkbox"/> PB	<input type="checkbox"/> Other ____
K-T10681-4	Volume control trim	<input type="checkbox"/> PB	<input type="checkbox"/> Other ____
K-T10682-4	Transfer valve trim	<input type="checkbox"/> PB	<input type="checkbox"/> Other ____

Required Accessory		
K-669-KS	3/4" Thermostatic valve	<input type="checkbox"/> NA
K-671-K	3/4" Volume control	<input type="checkbox"/> NA
K-672-K	3/4" Transfer valve	<input type="checkbox"/> NA
K-679-KS	1/2" Thermostatic valve	<input type="checkbox"/> NA
K-681-K	1/2" Volume control	<input type="checkbox"/> NA
K-10140	Ceramic dial faceplate for K-T10680	<input type="checkbox"/> Other ____

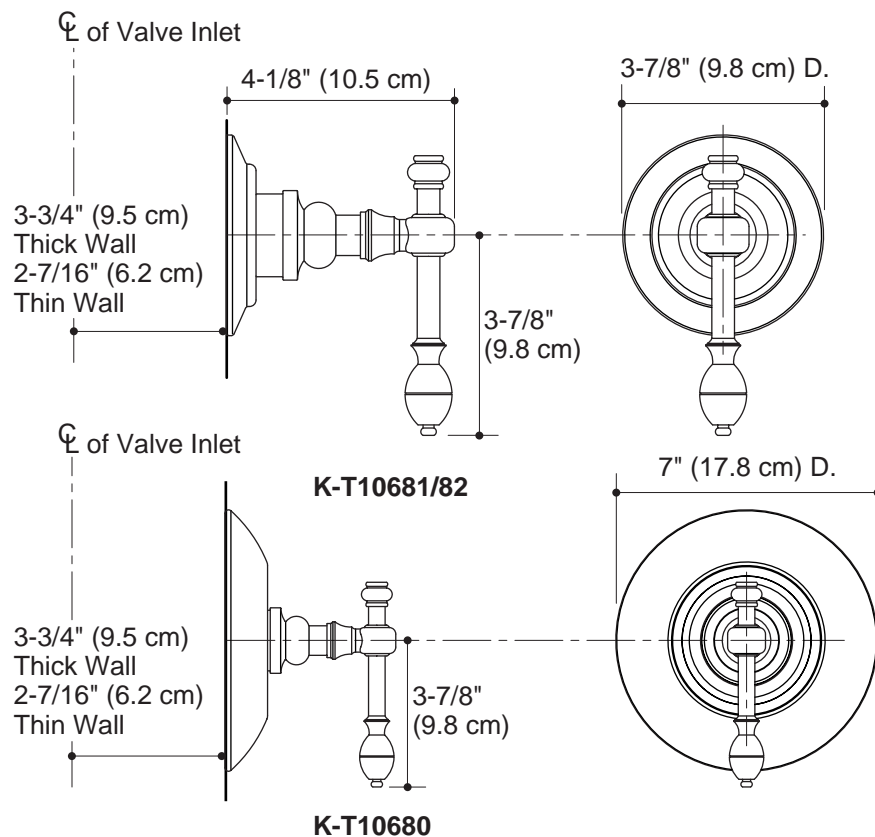
**Product Specification**

Thermostatic faucet trim shall be of brass construction. Trim shall include front seal plate assembly and handle assembly. Product shall be available with lever handle. Trim shall complement the IV Georges Brass™ Suite. Faucet trim shall be Kohler Model K-T\_\_\_\_-\_\_\_\_-\_\_\_\_, thermostatic valving shall be Kohler Model K-\_\_\_\_-\_\_\_\_-NA, and ceramic dial faceplate for Kohler Model K-T10680 shall be K-10140.

# IV GEORGES BRASS™

## Installation Notes

Install this product according to the installation guide.



## Product Diagram