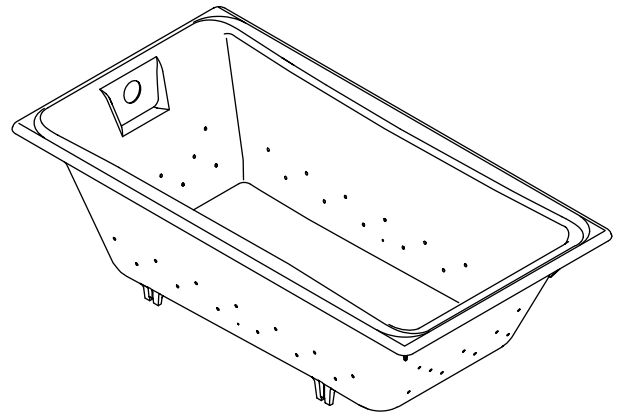


### Features

- Cast iron with Safeguard® finish
- Blower motor with 300 W heater and electronic back-lit user control
- 44 BubbleMassage™ airjets
- 18 levels of airflow adjustability
- With Zones of Control™, surge, and automatic purge features
- 60" (152.4 cm) x 32" (81.3 cm) x 18-1/4" (46.4 cm)

### 5' (1.5 m) BUBBLEMASSAGE™ BATH K-852-G

ADA



### Codes/Standards Applicable

Specified model meets or exceeds the following:

- ADA
- ICC/ANSI A117.1
- ASME A112.19.1/CSA B45.2
- ASME A112.19.7M
- CSA C22.2 No 218.2
- UL 1795

### Colors/Finishes

- 0: White
- CP: Polished Chrome
- NA: None applicable
- Other: Refer to Price Book for additional colors/finishes

### Specified Model

Model	Description	Airjet Trim Color		Colors/Finishes	
K-852-G	5' (1.5 m) BubbleMassage bath	<input type="checkbox"/> CP	<input type="checkbox"/> Other_____	<input type="checkbox"/> 0	<input type="checkbox"/> Other_____
<b>Required Accessories</b>					
K-7169-AF	Pop-up bath drain	<input type="checkbox"/> CP	<input type="checkbox"/> Other_____		
<b>Optional Accessories</b>					
K-586	Undermount installation kit (template and installation guide)			<input type="checkbox"/> NA	
K-1491	Removable pillow	<input type="checkbox"/> 0			<input type="checkbox"/> Other_____
K-1601	Removable footstop	<input type="checkbox"/> 0			<input type="checkbox"/> Other_____
K-1172	Adjustable feet			<input type="checkbox"/> NA	
K-1705	Remote control			<input type="checkbox"/> NA	
K-9498	3" (7.6 cm) keypad trim		<input type="checkbox"/> CP		<input type="checkbox"/> Other_____

### Product Specification

The BubbleMassage bath shall be made of cast iron with Safeguard finish. Bath shall be 60" (152.4 cm) in length, 32" (81.3 cm) in width, and 18-1/4" (46.4 cm) in height. Bath shall have 44 BubbleMassage airjets. Bath shall have a blower motor with 300 W heater and electronic back-lit user control. Bath shall have 18 levels of airflow adjustability. Bath shall be with Zones of Control™, surge, and automatic purge features. Bath shall be Kohler Model K-852-G\_\_\_\_\_-\_\_\_\_\_.

# TEA-FOR-TWO®

## Technical Information

Fixture*:				
Bathing well:				
Basin area, bottom	40-1/2" (102.9 cm) x 20" (50.8 cm)			
Basin area, top	52-3/4" (134 cm) x 24" (61 cm)			
Weight	290 lbs (131.5 kg)			
To overflow:				
Water depth	13-5/8" (34.6 cm)			
Capacity	60 gal (227.1 L)			
* Approximate measurements for comparison only.				
Drop-in cut-out	58-1/2" (148.6 cm) x 30-1/2" (77.5 cm)			
Cut-out for undermount	K-586 template			
Blower motor:	Heater	V	Hz	A
	300 W	220-240	50/60	3

## Required Electrical Service

Dedicated circuit required, protected with Class A Ground-Fault Circuit-Interrupter (GFCI):

Blower motor/control	220-240 V, 15 A, 50/60 Hz
----------------------	---------------------------

## Installation Notes

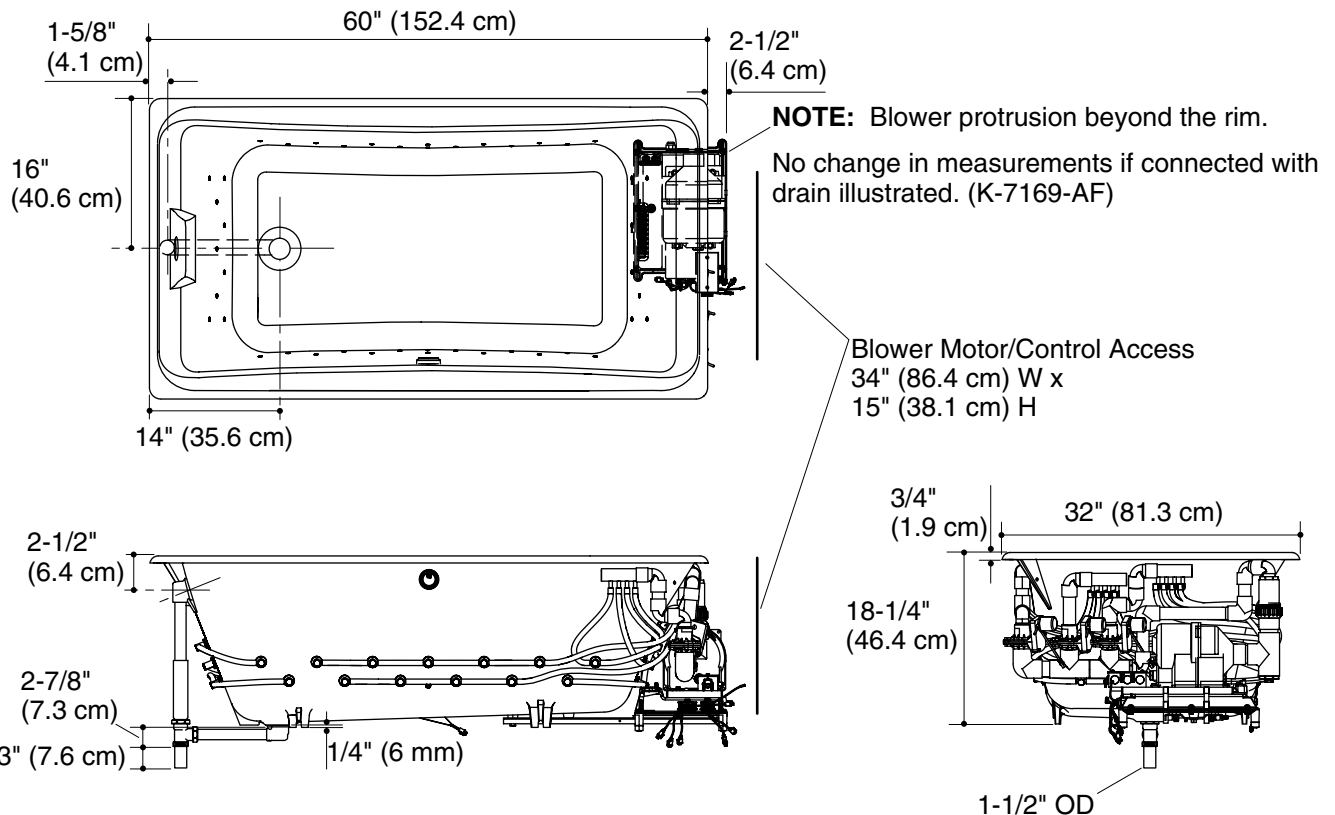
Install this product according to the installation guide.

**NOTICE: If the blower motor and check valve are relocated, two access panels are required. Locate one access panel at the blower motor/control location and the other at the control box. Locate the blower motor and check valve together.**

Floor support under bath must provide for a minimum of 60 lbs/square foot (290 kg/square meter) loading.

Splitting the deck/surround is recommended if installing into a deck.

Hot water supply should be 70% of capacity or greater. Installations will vary.



## Product Diagram