

**BATH FAUCET
K-6905-4**

ALSO K-126, K-127, K-128

ADA

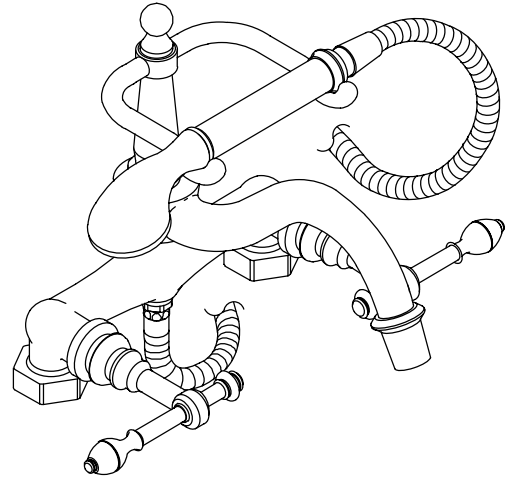
FEATURES

- Brass construction
- Bath- or deck-mount
- Brass valve bodies
- 1/2" quarter-turn washerless ceramic disc valves
- 9-5/8" diverter spout
- Lever handles
- Traditional handshower with 69" hose

CODES/STANDARDS APPLICABLE

Specified model meets or exceeds the following:

- ASME/ANSI A112.18.1M
- ASSE 1014
- ASSE 1025
- CSA B125
- IAPMO/UPC
- Listed in the State of Wisconsin



COLORS/FINISHES

- PB Polished Brass
- Other Refer to Faucets Price Book for additional finishes

SPECIFIED MODEL:

Model	Description		
K-6905-4	IV Georges Brass Bath- or Deck-Mount Bath Faucet with Handshower	<input type="checkbox"/> PB	<input type="checkbox"/> Other_____
Required Accessory			
K-126	27-7/8" Riser Tubes, Pair (For Deck-Mount Bath Faucet Installation)	<input type="checkbox"/> CP	<input type="checkbox"/> PB <input type="checkbox"/> Other_____
K-127	27-7/8" Riser Tubes, Pair (For K-100 Birthday Bath Installation)	<input type="checkbox"/> CP	<input type="checkbox"/> PB <input type="checkbox"/> Other_____
K-128	31-1/2" Riser Tubes, Pair (For K-700 Vintage Bath Installation)	<input type="checkbox"/> CP	<input type="checkbox"/> PB <input type="checkbox"/> Other_____

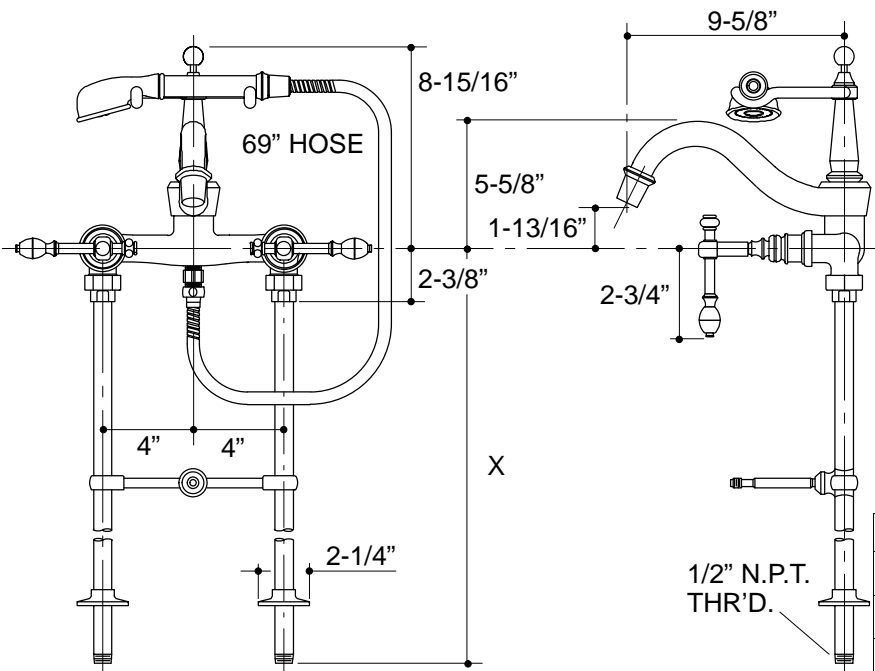
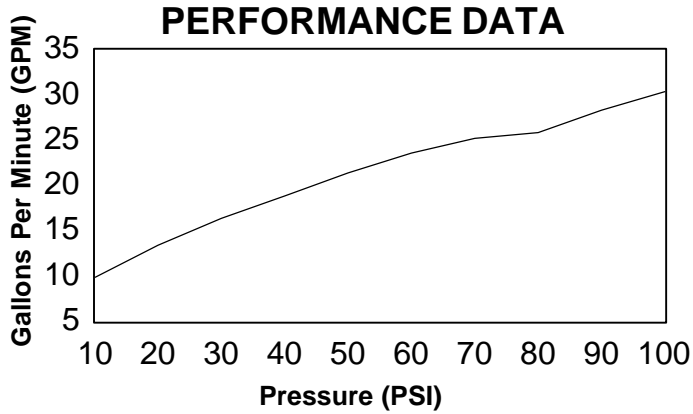
Optional Accessory on Page 2.

PRODUCT SPECIFICATION:

Two-handle bath- or deck-mount bath faucet shall be of brass construction. Faucet shall feature brass valve bodies. Faucet shall feature 1/2" quarter-turn washerless ceramic disc valves, assuring positive handle stop positioning. Product requires riser tubes. Product shall include a traditional handshower with 69" hose, 9-5/8" diverter spout, and lever handles. Faucet shall be Kohler Model K-6905-4-_____ and riser tubes shall be Kohler Model K-_____ -_____.

IV GEORGES BRASS™

Optional Accessory			
K-6797	IV Georges Brass Accent Kit	<input type="checkbox"/> PB	<input type="checkbox"/> Other _____



Roughing-In Notes	
	X
K-126, K-127	27-7/8"
K-128	31-1/2"

PRODUCT DIAGRAM