

KOHLER® Roughing-In

**K-6654
TANDEM™
UTILITY SINK**

Product Information

Applicable product:	
Self-rimming sink, 1 faucet hole on left	K-6654-1L
Self-rimming sink, 2 faucet holes on left	K-6654-2L
Self-rimming sink, 2 faucet holes on left, 1 faucet hole on right	K-6654-3L
Self-rimming sink, 1 faucet hole on right	K-6654-1R
Self-rimming sink, 2 faucet holes on right	K-6654-2R
Self-rimming sink, 2 faucet holes on right, 1 faucet hole on left	K-6654-3R
Self-rimming sink, 1 faucet hole on right, 1 faucet hole on left	K-6654-2
Self-rimming sink, 2 faucet holes on right, 2 faucet holes on left	K-6654-4
Undercounter sink, 1 faucet hole on left	K-6654-1LU
Undercounter sink, 2 faucet holes on left	K-6654-2LU
Undercounter sink, 2 faucet holes on left, 1 faucet hole on right	K-6654-3LU
Undercounter sink, 1 faucet hole on right	K-6654-1RU
Undercounter sink, 2 faucet holes on right	K-6654-2RU
Undercounter sink, 2 faucet holes on right, 1 faucet hole on left	K-6654-3RU

Undercounter sink, 1 faucet hole on right, 1 faucet hole on left	K-6654-2U
Undercounter sink, 2 faucet holes on right, 2 faucet holes on left	K-6654-4U

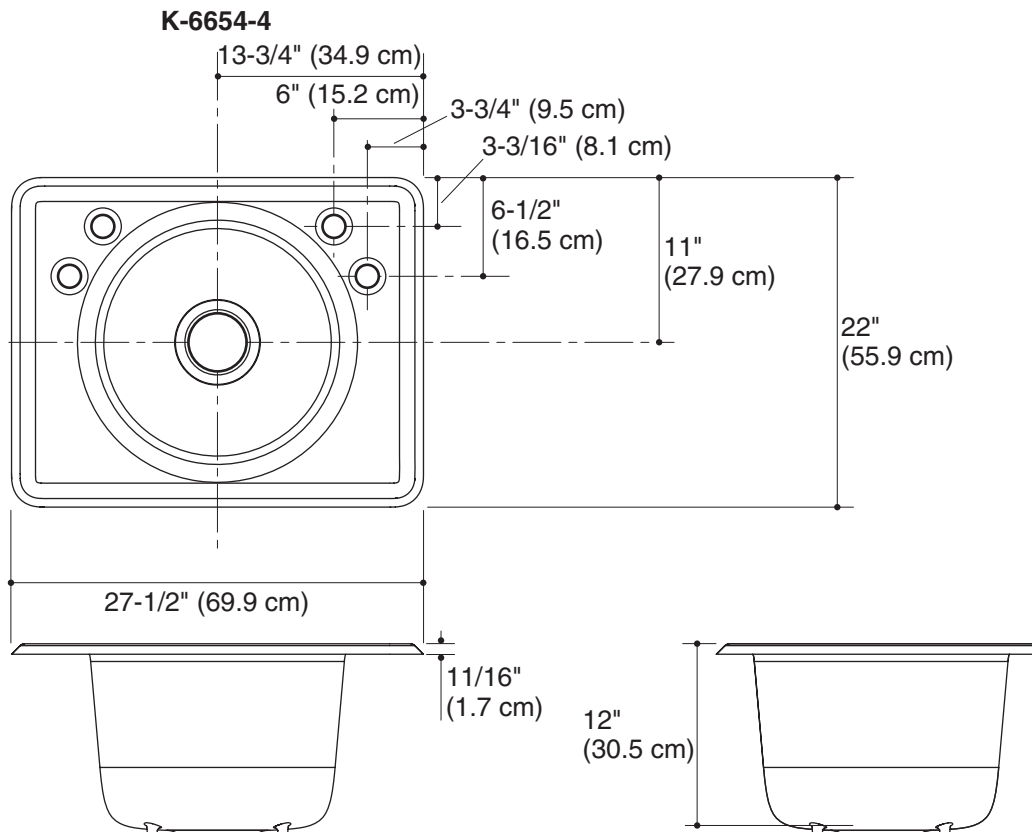
Fixture*:	
Basin area	16-1/2" (41.9 cm) D.
Water depth	12" (30.5 cm)
Drain hole	3-7/8" (9.8 cm) D.
Faucet holes	1-3/8" (3.5 cm) D.
* Approximate measurements for comparison only.	

Included components:	
Cut-out template	1088499-7
Undermount kit 23" (undercounter)	1054375

Installation Notes

Install this product according to the installation guide.

Fixture dimensions are nominal and conform to tolerances in ASME Standard A112.19.1



K-6654-1L



K-6654-1R



K-6654-2



K-6654-2L



K-6654-2R



K-6654-3L



K-6654-3R