

Features

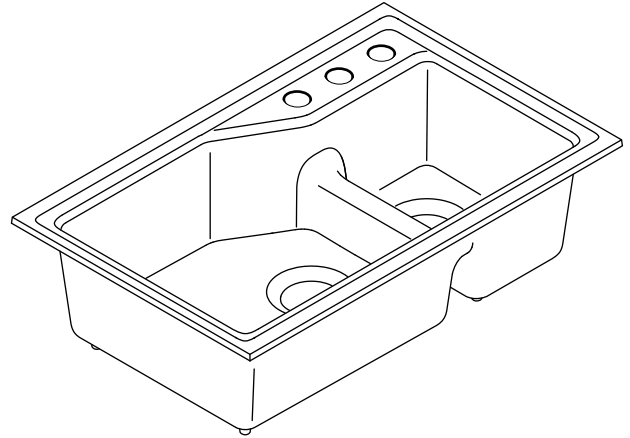
- KOHLER cast iron
- Acid-resistant enamel finish
- Under-mount
- Available with 1, 2, 3 or 2 Karbon™ faucet hole
- Smart Divide® lowered divider
- Double (small/large) compartment
- Includes bowl racks, cutting board, and colander
- Under-mount sink kit 23" (584 mm) included
- 33" (838 mm) x 21-1/8" (537 mm)

Codes/Standards Applicable

Specified model meets or exceeds the following:

- ASME A112.19.1/CSA B45.2

UNDER-MOUNT KITCHEN SINK K-6411



Colors/Finishes

- 0: White
- Other: Refer to Price Book for additional colors/finishes

Accessories

- CP: Polished Chrome
- NA: None applicable
- ST: Stainless Steel
- Other: Refer to Price Book for additional colors/finishes

Specified Model

Model	Description	Colors/Finishes	
K-6411-1	Under-mount kitchen sink, single-hole	<input type="checkbox"/> 0	<input type="checkbox"/> Other _____
K-6411-2	Under-mount kitchen sink, 2-hole	<input type="checkbox"/> 0	<input type="checkbox"/> Other _____
K-6411-3	Under-mount kitchen sink, 3-hole	<input type="checkbox"/> 0	<input type="checkbox"/> Other _____
K-6411-2K	Under-mount kitchen sink, 2-hole for Karbon™ faucet	<input type="checkbox"/> 0	<input type="checkbox"/> Other _____

Included Accessories			
K-6163	Bowl rack, right	<input type="checkbox"/> ST	
K-6164	Bowl rack, left	<input type="checkbox"/> ST	
K-6165	Cutting board		<input type="checkbox"/> NA
K-6166	Colander	<input type="checkbox"/> ST	

Product Specification

The under-mount kitchen sink shall be 33" (838 mm) in length and 21-1/8" (537 mm) in width. Sink shall be made of cast iron with acid-resistant enamel finish. Sink shall be double (small/large) bowl. Sink shall have Smart Divide® lowered divider. Sink shall be single hole (-1), 2-hole (-2), 3-hole (-3) or 2-hole for Karbon™ faucet (-2K). Sink shall include 23" (584 mm) under-mount sink kit. Sink shall include bottom bowl racks, cutting board, and colander. Sink shall be Kohler Model K-6411-____-____.

INDIO™

Optional Accessories

K-5807	Under-mount sink kit 36" (914 mm)	<input type="checkbox"/>	NA
K-8801	Duostrainer® sink strainer	<input type="checkbox"/>	CP
		<input type="checkbox"/>	Other_____

Technical Information

Fixture*:	
Bowl area	16-3/4" (425 mm) x 26" (660 mm)
Water depth	9" (229 mm)
Drain hole	Ø 3-7/8" (98 mm)
* Approximate measurements for comparison only.	

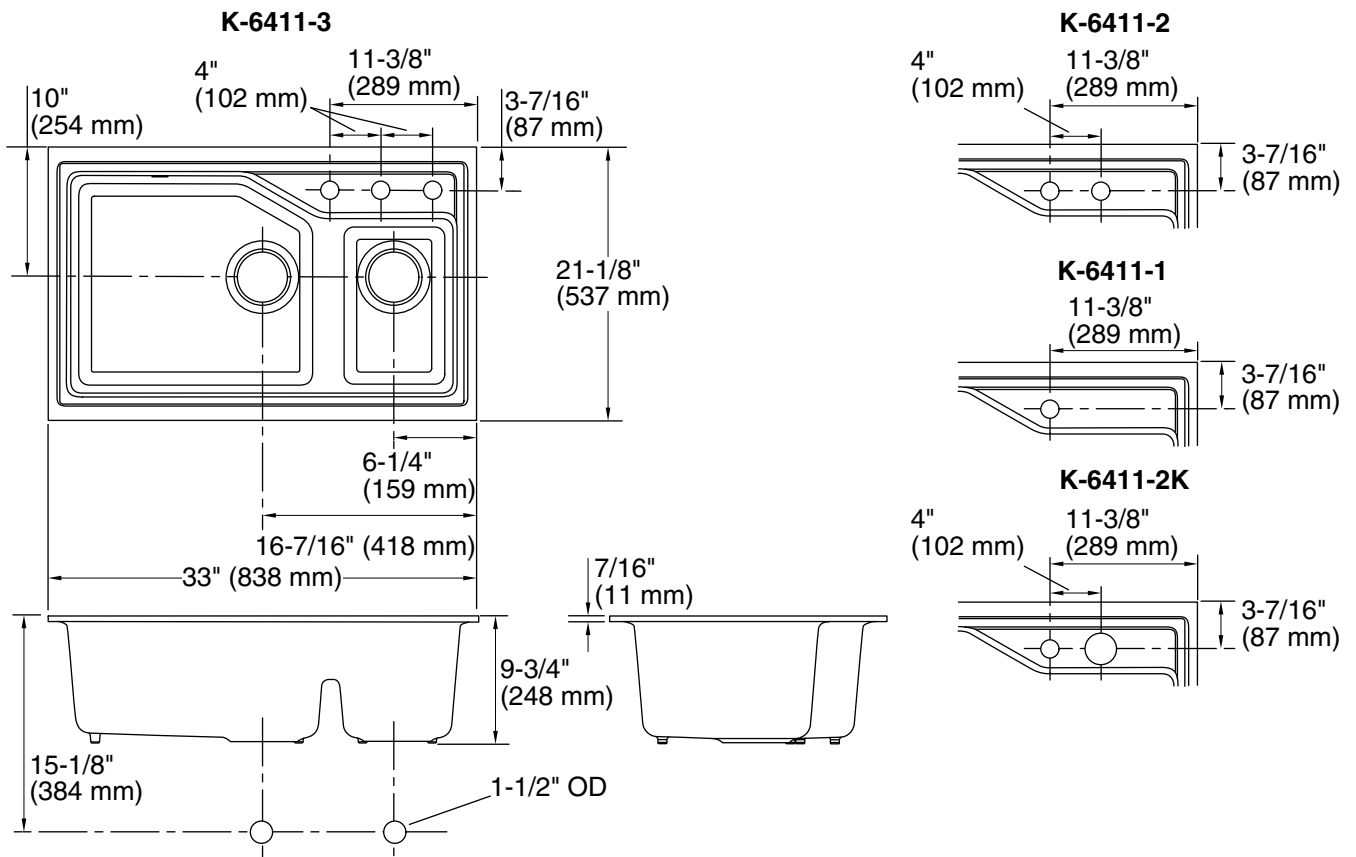
Holes	K-6411-1	K-6411-2	K-6411-3	K-6411-2K
Faucet	Ø 1-3/8" (35 mm)	Ø 1-3/8" (35 mm)	Ø 1-3/8" (35 mm)	Ø 1-3/8" (35 mm) Ø 2-1/8" (54 mm)

Included components:	
Cut-out template	1106715-7
Under-mount sink kit 23" (584 mm)	1054375

Installation Notes

Install this product according to the installation guide.

NOTICE: The countertop manufacturer or cutter **must** use the cut-out template provided with the product, or a current one provided by the Kohler Co. (Call 1-800-4-KOHLER.) Kohler Co. is not responsible for cut-out errors when the incorrect cut-out template is used.



Product Diagram