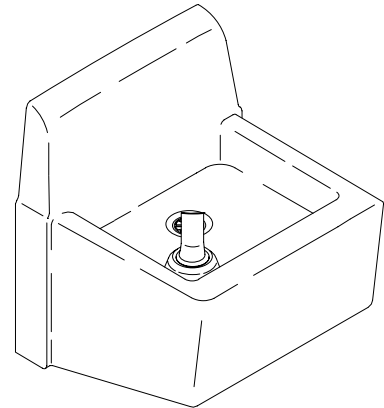


#### FEATURES

- Vitreous china
- Wall-mount
- 1-1/4" trap with brushed chrome strainer
- Includes supply fitting



#### CODES/STANDARDS APPLICABLE

Specified model meets or exceeds the following:

- ASME/ANSI A112.19.2M
- IAPMO/UPC
- Canadian Standards Association (CSA)
- NSF 61 section 9
- States of Massachusetts, New York, & Texas

#### COLORS/FINISHES

- 0 White
- Other Refer to Fixtures Price Book for additional colors

#### Accessories:

- NA None Applicable

#### SPECIFIED MODEL:

Model	Description	Colors/Finishes	
K-5264	Drinking fountain	<input type="checkbox"/> 0 White	<input type="checkbox"/> Other _____

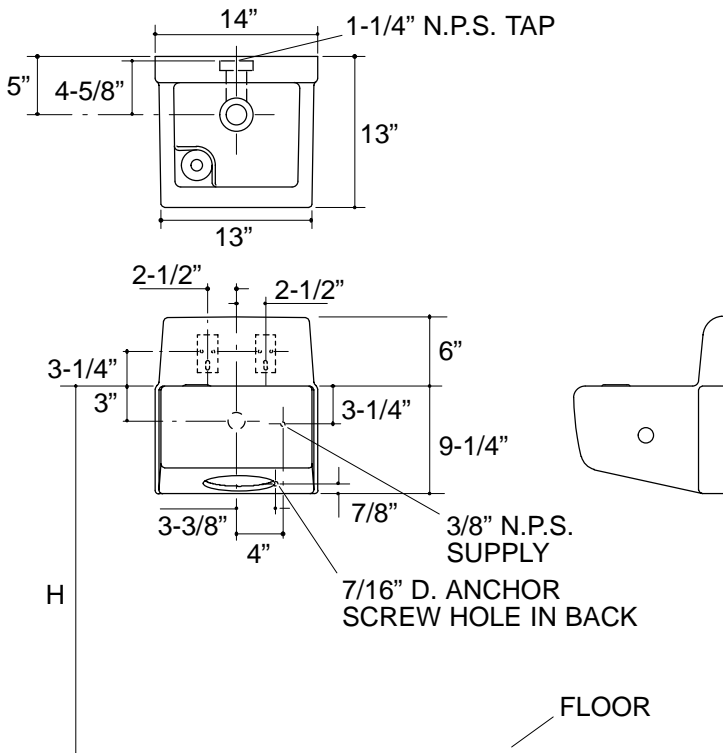
#### PRODUCT SPECIFICATION:

The wall-mount drinking fountain shall be made of vitreous china. Drinking fountain shall have 1-1/4" trap with brushed chrome strainer and supply fitting. Drinking fountain shall be Kohler Model K-5264-\_\_\_\_\_.

# MILLBROOK™

## PRODUCT INFORMATION

Included Components:	
Hanger accessory pack	52046
Supply valve sub-assembly	79188
Trap with strainer	35312
Access plate	35693



### Roughing-In Notes

H 30" for grade school.  
 36" to 44" for other buildings.  
 36" max. to comply with ADA. Must be built-in for knee clearance.

## PRODUCT DIAGRAM