



Features

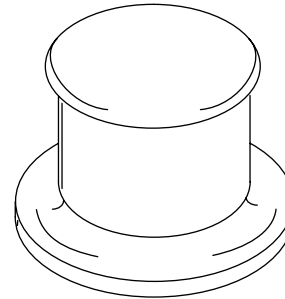
- Bath- or deck-mount
- Two-way brass diverter valve
- Diverter valve has backflow protection

**TWO-WAY DIVERTER VALVE
K-9530**

Codes/Standards Applicable

Specified model meets or exceeds the following:

- ASME A112.18.1
- ASSE 1014
- ASSE 1025
- CSA B125
- IAPMO/UPC
- Listed in the State of Wisconsin



Colors/Finishes

- CP: Polished Chrome
- PB: Polished Brass
- Other: Refer to Price Book for additional colors/finishes

Specified Model

Model	Description	<input type="checkbox"/> CP	<input type="checkbox"/> PB	<input type="checkbox"/> Other ____
K-9530	Two-way Diverter Valve			

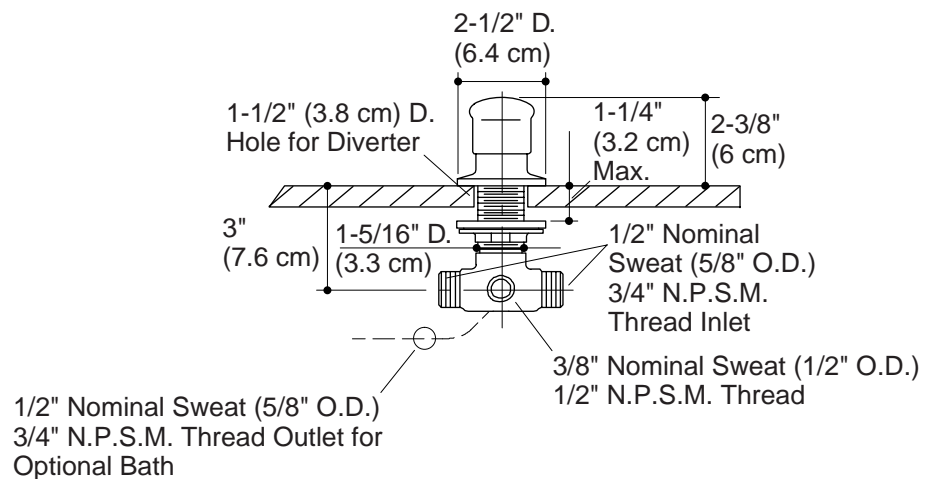
Product Specification

Two-way diverter valve shall be bath- or deck-mount. Diverter valve shall feature brass-construction. Diverter valve shall have backflow protection. Product shall be Kohler Model K-9530-_____.

Installation Notes

Install this product according to the installation guide.

Diverter valve has backflow protection.



Product Diagram