

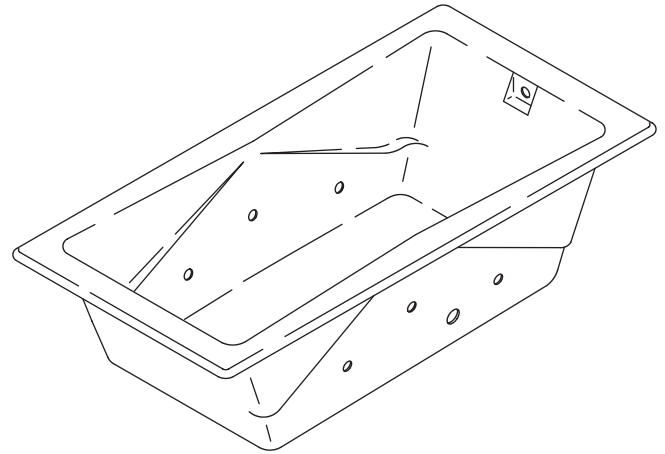
Features

- Cast iron with Safeguard® finish
- 1.5 hp variable speed pump with 1.5 kW heater, back-lit user keypad, and remote control
- 6 Flexjets™
- UL listed
- Less all trim
- Custom pump locations
- 71-3/4" (182.2 cm) x 36" (91.4 cm) x 20-7/8" (53 cm)

CUSTOM 6' BATH WHIRLPOOL

K-865-HB

ALSO K-865-HD, K-865-HM



Codes/Standards Applicable

Specified model meets or exceeds the following:

- IAPMO/UPC
- Underwriter's Laboratories (UL)
- ASME A112.19.1M
- ASME A112.19.7M

Colors/Finishes

- 0: White
- Other: Refer to Price Book for additional colors/finishes

Accessories:

- CP: Polished Chrome
- PB: Polished Brass
- Other: Refer to Price Book for additional colors/finishes

Specified Model

Model	Description	Colors/Finishes	
K-865-HB	Bath whirlpool, custom pump	<input type="checkbox"/> 0	<input type="checkbox"/> Other_____
K-865-HD	Bath whirlpool, custom pump	<input type="checkbox"/> 0	<input type="checkbox"/> Other_____
K-865-HM	Bath whirlpool, custom pump	<input type="checkbox"/> 0	<input type="checkbox"/> Other_____

Required Accessories

K-9696	Jet trim kit	<input type="checkbox"/> CP	<input type="checkbox"/> PB	<input type="checkbox"/> Other_____
K-7169-AF	Drain	<input type="checkbox"/> CP	<input type="checkbox"/> PB	<input type="checkbox"/> Other_____

Optional Accessories

K-582	Undermount installation kit (template and installation instructions)	<input type="checkbox"/> NA
K-1179	Vinyl tiling-in bead (use when wall material contacts any top surface of bath)	<input type="checkbox"/> NA
K-1491	Pillow	<input type="checkbox"/> 0 <input type="checkbox"/> Other_____

Product Specification

The bath whirlpool shall be 71-3/4" (182.2 cm) in length, 36" (91.4 cm) in width, and 20-7/8" (53 cm) in height. Bath whirlpool shall be made of cast iron with Safeguard finish. Bath whirlpool shall have 6 Flexjets, 1.5 hp variable speed pump, 1.5 kW heater, back-lit user control, and custom pump locations. Bath whirlpool shall be UL listed. Bath whirlpool shall be less all trim. Bath whirlpool shall be Kohler Model K-865-_____-_____.

TEA-FOR-TWO™

Technical Information

Fixture*:	Basin area	Top area	Weight
Bathing well	49" (124.5 cm) x 22" (55.9 cm)	62" (157.5 cm) x 28" (71.1 cm)	455 lbs (206.4 kg)
Water depth (to overflow)		Capacity (to overflow)	
17" (43.2 cm)		89 gal (336.9 L)	
* Approximate measurements for comparison only.			

Pump	Heater	V	A*
1.5 hp	1.5 kW	240 V	11
* Approximate measurements for comparison only.			

Drop-in cut-out	70-1/4" (178.4 cm) x 34-1/2" (87.6 cm)
Cut-out for undermount	K-582 template
Minimum access panel (required):	
Pump/control	34" (86.4 cm) W x 15" (38.1 cm) H

Required Electrical Service

Dedicated circuit required, protected with Class A Ground-Fault Circuit-Interrupter (GFCI) or Earth-Leakage Circuit-Breaker (ELCB):

Pump/control 208-240 V, 20 A, 50/60 Hz

Installation Notes

Install this product according to the installation guide.

Floor support under whirlpool must provide for a minimum of 1800 lbs (816.5 kg) loading.

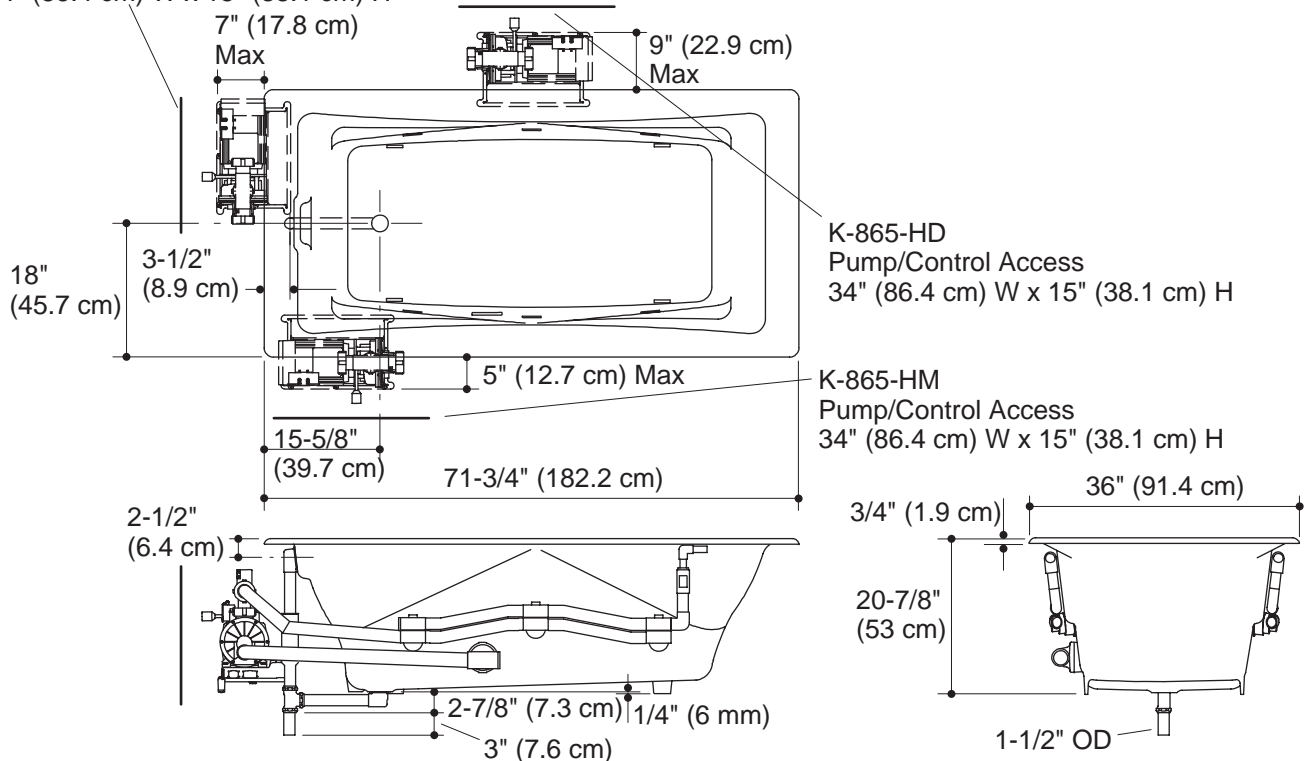
Cast iron whirlpools are extremely heavy, making some drop-in installations difficult. Splitting the deck/surround is recommended if installing into a deck.

Hot water supply should be 70% of capacity or greater. Installations will vary.

Pump must be relocated to custom position at the time of installation. Provide adequate clearance.

K-865-HB
Pump/Control Access
34" (86.4 cm) W x 15" (38.1 cm) H

No change in measurements if connected with drain illustrated. (K-7169-AF or K-7169M-AF)



Product Diagram