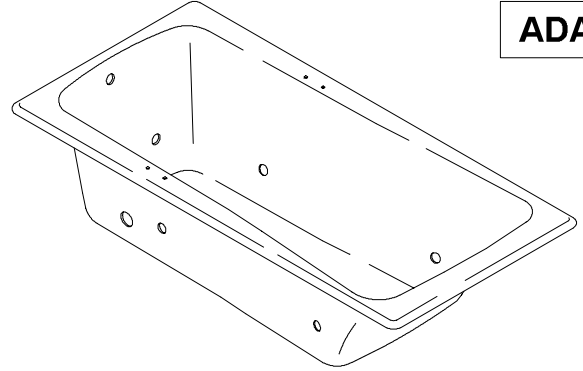


K-842-H2, K-845-H2

ADA



FEATURES

- 66" (167.6cm) x 32" (81.3cm) x 18-1/4" (46.4cm)
- Cast iron with Safeguard® slip-resistant finish
- 1.5 hp variable speed pump with 1.5 kW heater, and back-lit user control
- 5 Flexjets
- UL Listed
- ADA compliant when installed with seat at head end
- LESS ALL TRIM
- Drilled for K-9621 grip rails (required for K-842-H2)

CODES/STANDARDS APPLICABLE

Specified model meets or exceeds the following:

- ADA
- ASME/ANSI A112.19.1M
- ASME/ANSI A112.19.7M
- IAPMO/UPC
- Underwriters Laboratories (UL)

COLORS/FINISHES

- 0 White
- Other Refer to Price Book for additional colors

Accessories:

- CP Polished Chrome
- PB Polished Brass
- Other Refer to Price Book for additional finishes
- NA None Applicable

SPECIFIED MODEL:

Model	Description	Colors/Finishes	
K-842-H2	Bath whirlpool, with grip rails (shown)	<input type="checkbox"/> 0 White	<input type="checkbox"/> Other _____
K-845-H2	Bath whirlpool, less grip rails	<input type="checkbox"/> 0 White	<input type="checkbox"/> Other _____

Required Accessories				
K-9695	Jet trim kit	<input type="checkbox"/> CP	<input type="checkbox"/> PB	<input type="checkbox"/> Other _____
K-9621	Grip rails (pair) - required for K-842-H2 only	<input type="checkbox"/> CP	<input type="checkbox"/> PB	<input type="checkbox"/> Other _____
Recommended Accessories				
K-7161-AF	Drain	<input type="checkbox"/> CP	<input type="checkbox"/> PB	<input type="checkbox"/> Other _____
Optional Accessories				
K-585	Undermount installation kit (template and installation instructions) - K-845-H2 only	<input type="checkbox"/> NA		
K-1179	Vinyl tiling-in bead (use when wall material contacts any top surface of bath)	<input type="checkbox"/> NA		
K-1491	Pillow	<input type="checkbox"/> 0 White	<input type="checkbox"/> Other _____	
K-1601	Footstop	<input type="checkbox"/> 0 White	<input type="checkbox"/> Other _____	
K-1172	Adjustable feet	<input type="checkbox"/> NA		
K-1703	Remote control	<input type="checkbox"/> NA		

PRODUCT SPECIFICATION:

The bath whirlpool shall be 66" (167.6cm) in length, 32" (81.3cm) in width, and 18-1/4" (46.4cm) in height. Bath whirlpool shall be made of cast iron with Safeguard® finish. Bath whirlpool shall have 5 Flexjets, 1.5 hp variable speed pump, 1.5 kW heater, and back-lit user control. Bath whirlpool shall be UL listed. Bath whirlpool shall be less all trim. K-842-H2 bath whirlpool shall be drilled for K-9621 grip rails (required). Bath whirlpool shall be Kohler Model K-_____ - _____ - _____.

MAESTRO™

PRODUCT INFORMATION

Fixture* :	basin area	top area	weight
Bathing well	47" (119.4cm) x 21" (53.3cm)	57" (144.8cm) x 25" (63.5cm)	420 lbs. (190.5kg)
	water depth	capacity	
To overflow	13" (33cm)	55 gal. (208.2L)	

* Approximate measurements for comparison only.

Pump	Heater	Voltage	Frequency	Amperage
1.5 HP	1.5 kW	240 V	50/60 Hz	11 A

REQUIRED ELECTRICAL SERVICE

Dedicated circuit required, protected with Class A Ground-Fault Circuit-Interrupter (GFCI) or Earth-Leakage Circuit-Breaker (ELCB):

Pump/control	220/240 V, 20 A, 50/60 Hz
--------------	---------------------------

INSTALLATION NOTES

Install this product according to the installation guide.

Floor support under whirlpool must provide for a minimum of 1500 lbs. (680.4kg)

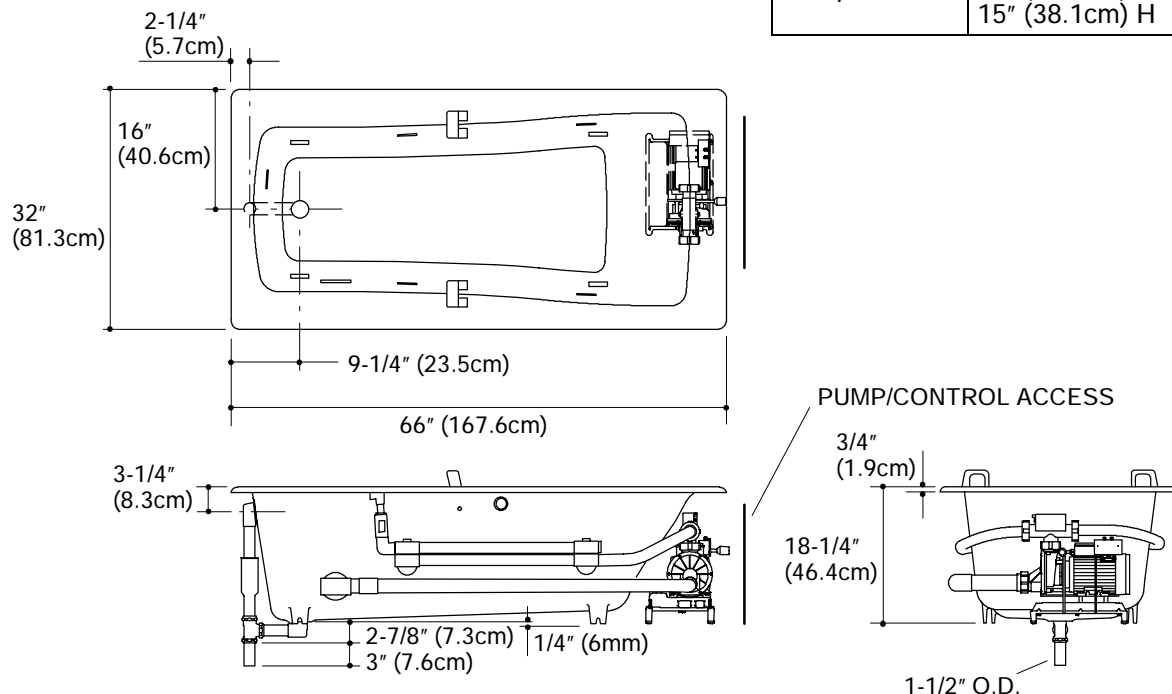
No change in measurements if connected with drain illustrated. (K-7161-AF or K-7161M-AF)

Drop-in cut-out	64-1/4" (163.2cm) x 30-1/2" (77.5cm)
--------------------	--------------------------------------

Cut-out for undermount (K-845-H2)	K-585 template
-----------------------------------	----------------

Minimum access panel:

Pump/control	34" (86.4cm) W x 15" (38.1cm) H	required
--------------	------------------------------------	----------



PRODUCT DIAGRAM