

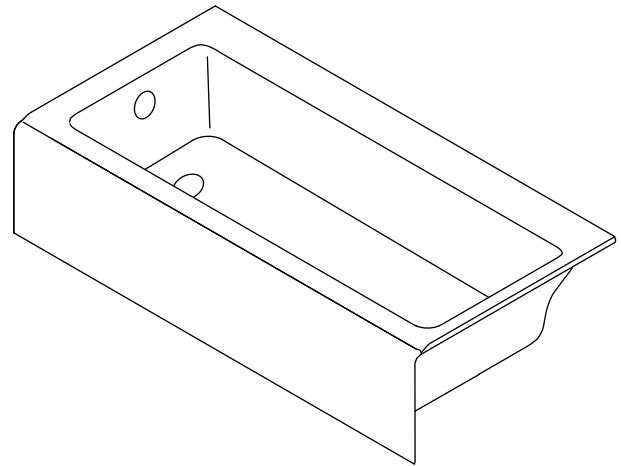
Features

- Cast iron with Safeguard® finish
- Integral apron
- Left or right drain
- 60" (1524 mm) x 30-1/4" (768 mm) x 14-1/2" (368 mm)

BATH WITH INTEGRAL APRON

K-837
ALSO K-838

ADA CSA B651 OBC



Codes/Standards Applicable

Specified model meets or exceeds the following:

- ADA
- ICC/ANSI A117.1
- ASME A112.19.1/CSA B45.2
- CSA B651
- OBC

Colors/Finishes

- 0: White
- Other: Refer to Price Book for additional colors/finishes

Accessories

- CP: Polished Chrome
- Other: Refer to Price Book for additional colors/finishes

Specified Model

| Model | Description | Colors/Finishes | |
|-------|---|----------------------------|-------------------------------------|
| K-837 | Bath with integral apron – left drain (shown) | <input type="checkbox"/> 0 | <input type="checkbox"/> Other_____ |
| K-838 | Bath with integral apron – right drain | <input type="checkbox"/> 0 | <input type="checkbox"/> Other_____ |

| Recommended Accessories | | | |
|-------------------------|--|-----------------------------|-------------------------------------|
| K-7259 | Toe tap bath drain OR | <input type="checkbox"/> CP | <input type="checkbox"/> Other_____ |
| K-37380 | Cable bath drain – 30" (762 mm), brass OR | <input type="checkbox"/> CP | <input type="checkbox"/> Other_____ |
| K-37383 | Cable bath drain – 30" (762 mm), with PVC tubing | <input type="checkbox"/> CP | <input type="checkbox"/> Other_____ |

Product Specification

The bath shall be made of cast iron with Safeguard finish. Product shall be 60" (1524 mm) in length, 30-1/4" (768 mm) in width, and 14-1/2" (368 mm) in height. Product shall feature an integral apron. Product shall be available with left or right drain. Bath shall be Kohler Model K-____-____.

BELLWETHER®

Technical Information

| | |
|--|---|
| Fixture*: | |
| Bathing well: | |
| Basin area, bottom | 48-3/4" (1238 mm) x 19-5/16" (491 mm) |
| Basin area, top | 54-11/16" (1389 mm) x 21-3/16" (538 mm) |
| Weight | 325 lbs (147 kg) |
| To overflow: | |
| Water depth | 9" (229 mm) |
| Capacity | 32.6 gal (123.4 L) |
| *Approximate measurements for comparison only. | |

Installation Notes

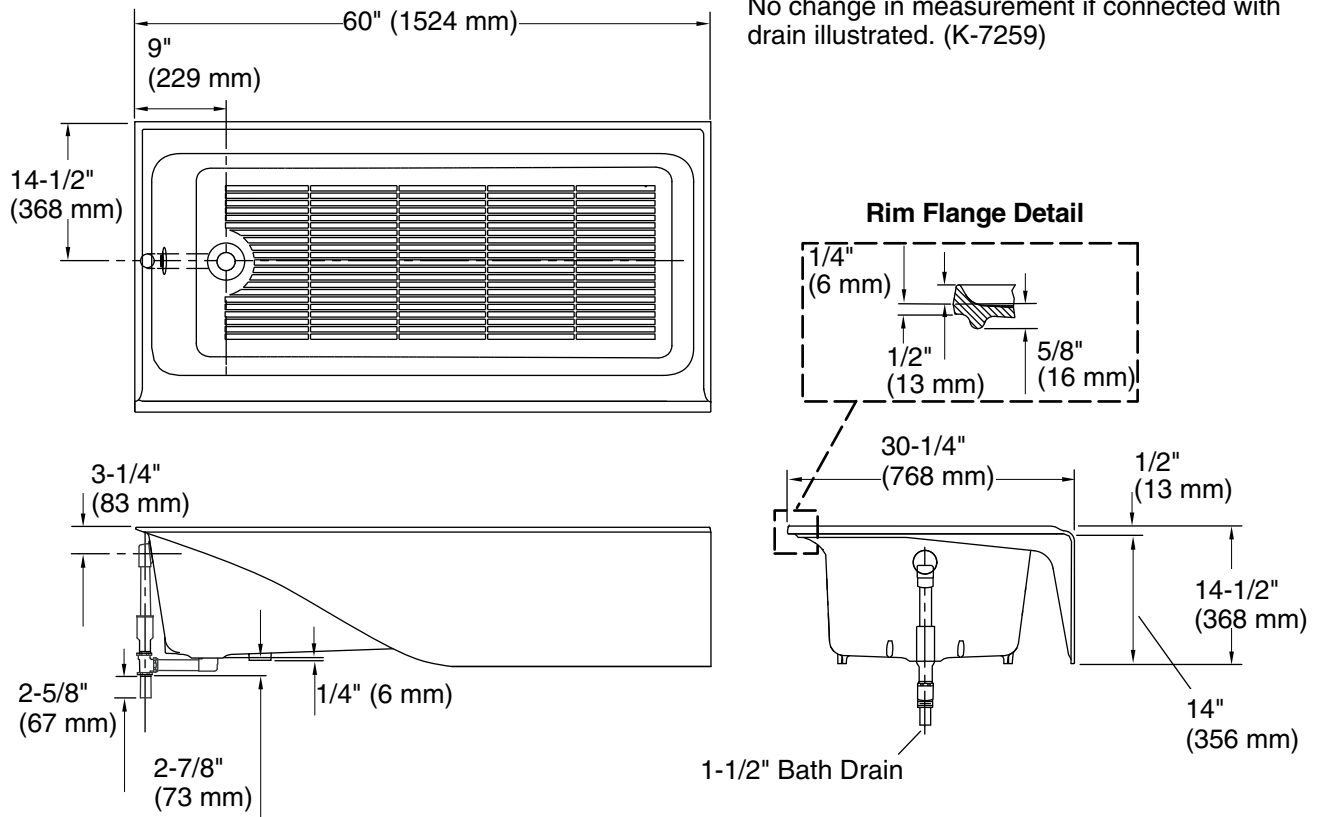
Install this product according to the installation guide.

Floor support under the bath must provide for a minimum of 52 lbs/square foot (253.9 kg/square meter) loading.

Will comply with **ADA** when installed per Section 607 Bathtubs of the ADA 2010 Standards for Accessible Design.

Will comply with **CSA B651** when installed per Clause 4.4.7 of the standard.

Will comply with **OBC** when installed per Clause 3.8.3.13.



Product Diagram