

Features

- Center drain.
- Slotted overflow for deep soaking.
- Integral lumbar support.
- Coordinates with other products in the Reve® collection.
- 66-15/16" (1700 mm) x 31-1/2" (800 mm) x 22-1/16" (560 mm)

Material

- Cast iron with Safeguard® finish.

Installation

- Freestanding

Required Accessories

K-7271 Brass Slotted Overflow Bath Drain

or

K-7272 PVC Slotted Overflow Bath Drain

Recommended Accessories

K-1491 Bath/Whirlpool Pillow

K-1601 Bath/Whirlpool Footstop

Components

Additional included component/s: Wooden Float, cast iron adjustable feet (set of 4), and wooden overflow/drain shroud.



Codes/Standards

ASME A112.19.1/CSA B45.2

ASTM F462

ASTM F462


KOHLER® Lifetime Limited Warranty for Cast Iron Components

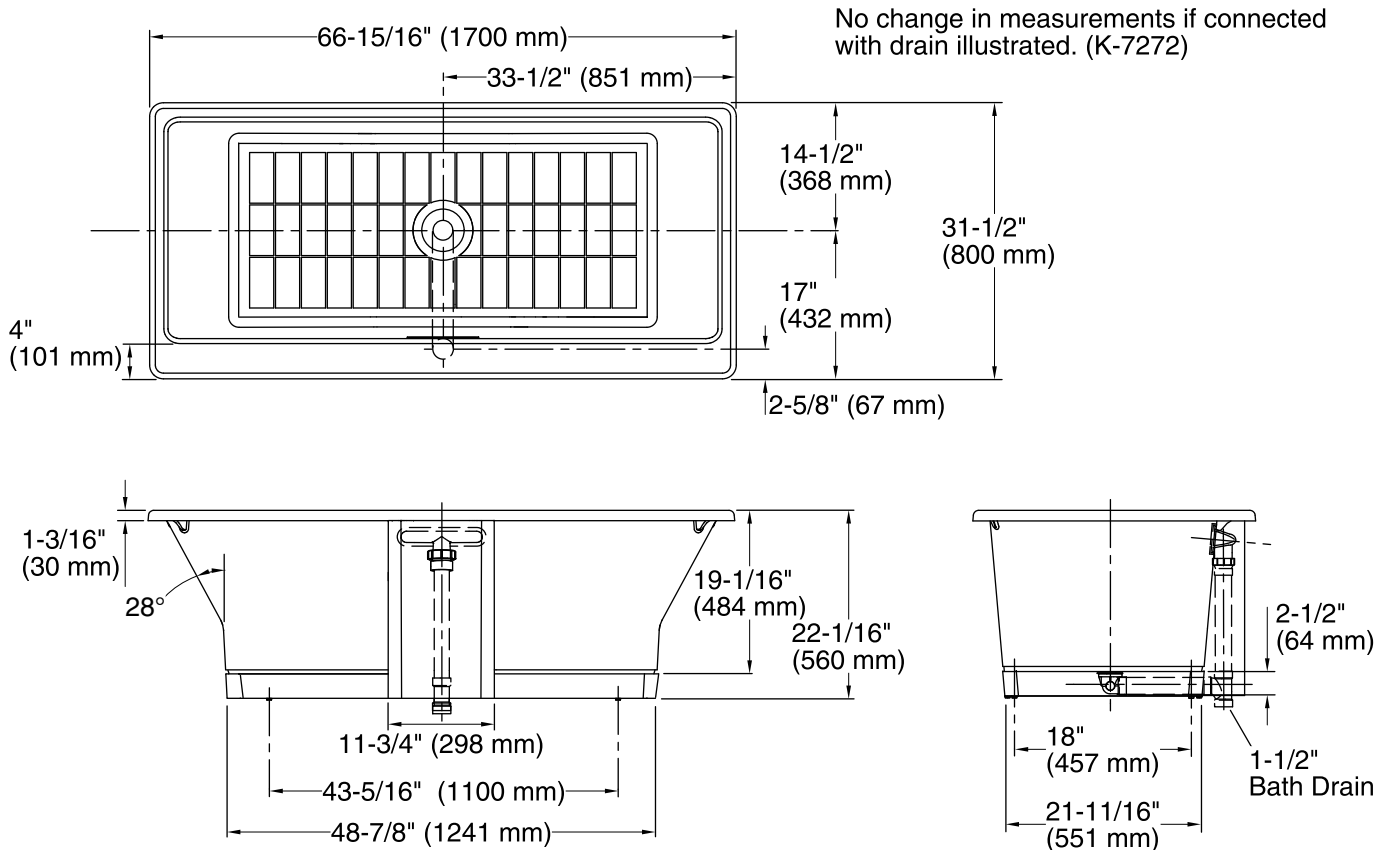
See website for detailed warranty information.

Available Color/Finishes

Color tiles intended for reference only.

| Color | Code | Description |
|-------|------|-------------|
|-------|------|-------------|

| | | |
|--|---|-------|
|  | 0 | White |
|--|---|-------|



Technical Information

All product dimensions are nominal.

| | |
|------------------------|---|
| Drain location: | Center |
| Basin area, bottom: | 49" x 22" (1245 mm x 559 mm) |
| Basin area, top: | 62-1/2" x 24-3/4" (1588 mm x 629 mm) |
| Weight: | 365 lbs (165.6 kg) |
| Minimum floor load: | 70 lbs/ft ² (341.8 kg/m ²) |
| Water depth: | 15-1/4" (387 mm) |
| Water capacity: | 75 gal (283.9 L) |
| Minimum flat for door: | 0" (0 mm) |

Notes

Measure your actual product for rough-in details.

Install this product according to the installation instructions.

The hot water supply should be 70% of the capacity of the bath or greater. Installations will vary.