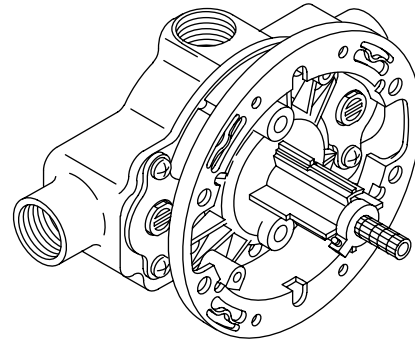


HIFLOW RITE-TEMP®

**PRESSURE-BALANCING VALVE
K-2971-KS**

Features

- Brass valve body
- Pressure-balancing mechanism of one-piece diaphragm cartridge design for ease of maintenance
- Mixing valve cycles from "cold" to "hot"
- 3/4" NPT connections
- HiFlow Rite-Temp® pressure balancing diaphragm design valve
- High-Temperature limit stop
- Integral shut-off valve stops
- Minimum operating pressure 15 psi (103.4 kPa)



Codes/Standards Applicable

Specified model meets or exceeds the following:

- ASME A112.18.1/CSA B125.1
- ASSE 1016

Colors/Finishes

- NA: None applicable

Accessories

- CP: Polished Chrome
- Other: Refer to Price Book for additional colors/finishes

Specified Model

Model	Description	Colors/Finishes
K-2971-KS	Pressure-balancing valve	<input type="checkbox"/> NA
Recommended Accessories		
88526	HiFlow Rite-Temp® thin wall installation kit	<input type="checkbox"/> CP <input type="checkbox"/> Other_____

Product Specification

HiFlow Rite-Temp® pressure-balancing single-control valve shall feature a brass valve body. The valve shall mix the water from the "off" position, through the "cold" to the "hot", and includes a high-temperature limit stop. The pressure-balancing mechanism shall be of one-piece diaphragm cartridge design for ease of maintenance. Product shall feature integral shut-off valve stops. Pressure-balancing valve shall be minimum operating pressure 15 psi (103.4 kPa). HiFlow Rite-Temp® pressure-balancing single-control valve shall be Kohler Model K-2971-KS-NA.

HIFLOW RITE-TEMP®

Installation Notes

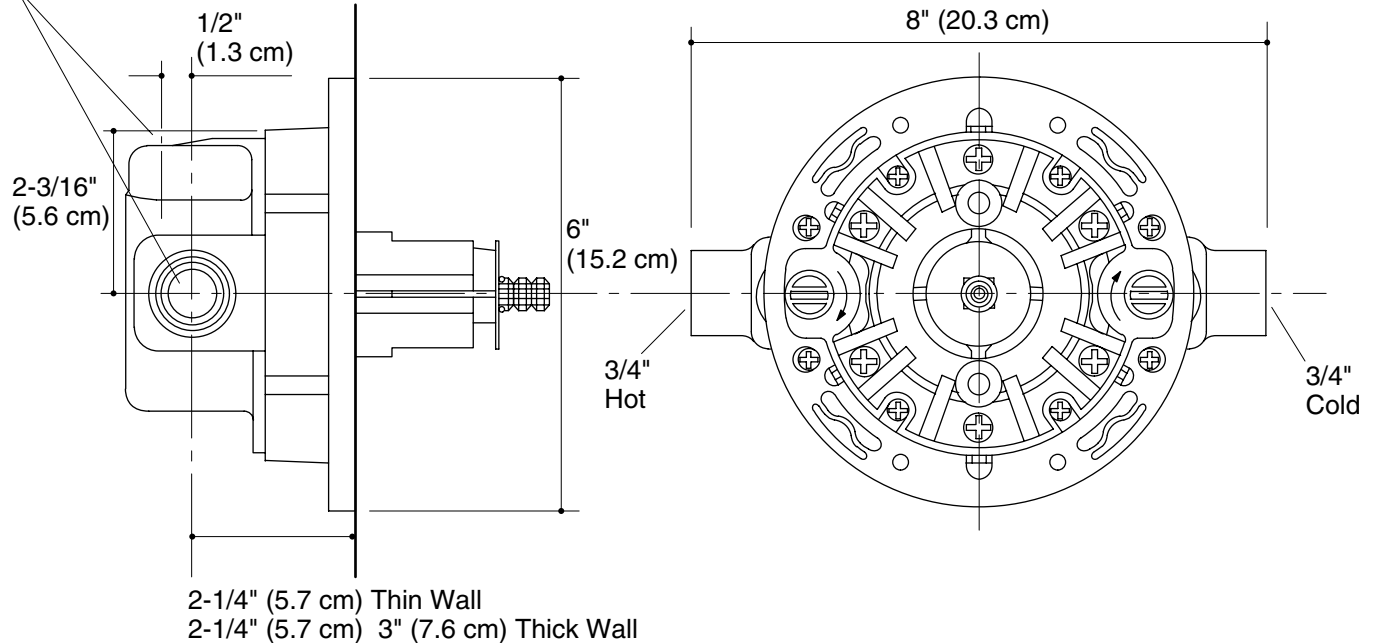


WARNING: Risk of damage to the K-2971-KS valve assembly. When using the K-2971-KS valve in a fiberglass or acrylic installation, use the thin wall installation kit (88526).

Install this product according to the installation guide.

Avoid cross-flow conditions. Do not install shut-off device on either valve outlet.

3/4" NPT For 3/4" Nom.
Copper Tubing



Product Diagram