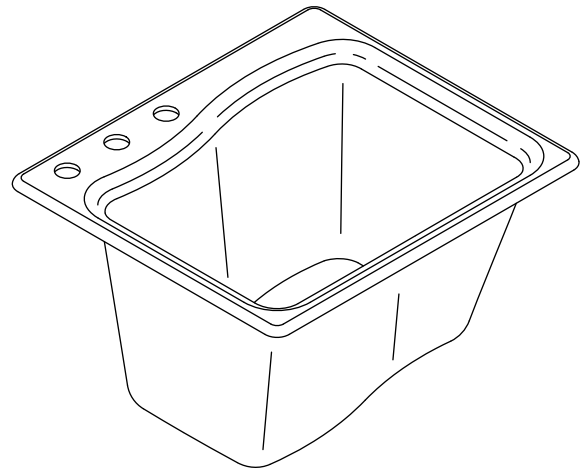


### Features

- KOHLER cast iron
- Acid-resistant enamel finish
- Single bowl
- Top-mount
- Integral washboard
- Available with 1-, 2-, 3-, or 4-hole
- 25" (635 mm) x 22" (559 mm)

### TOP-MOUNT UTILITY SINK K-6657



### Codes/Standards Applicable

Specified model meets or exceeds the following:

- ASME A112.19.1/CSA B45.2

### Colors/Finishes

- 0: White
- Other: Refer to Price Book for additional colors/finishes

### Accessories

- CP: Polished Chrome
- Other: Refer to Price Book for additional colors/finishes

### Specified Model

Model	Description	Colors/Finishes	
K-6657-1	1-hole sink for single-hole faucet	<input type="checkbox"/> 0	<input type="checkbox"/> Other_____
K-6657-2	2-hole sink for 2-hole faucet	<input type="checkbox"/> 0	<input type="checkbox"/> Other_____
K-6657-3	3-hole sink for 3-hole faucet	<input type="checkbox"/> 0	<input type="checkbox"/> Other_____
K-6657-4	4-hole sink for 3-hole faucet and right accessory	<input type="checkbox"/> 0	<input type="checkbox"/> Other_____
K-6657-2R	2-hole sink for single-hole faucet and right accessory	<input type="checkbox"/> 0	<input type="checkbox"/> Other_____
K-6657-3R	3-hole sink for 2-hole faucet and right accessory	<input type="checkbox"/> 0	<input type="checkbox"/> Other_____

#### Recommended Accessories

K-9000	P-Trap	<input type="checkbox"/> CP	
--------	--------	-----------------------------	--

#### Optional Accessories

K-8801	Duostrainer® sink strainer	<input type="checkbox"/> CP	<input type="checkbox"/> Other_____
--------	----------------------------	-----------------------------	-------------------------------------

### Product Specification

The top-mount utility sink shall be 25" (635 mm) in length and 22" (559 mm) in width. Sink shall be made of cast iron with acid-resistant enamel finish. Sink shall be single compartment. Sink shall be available with 1-hole (-1), 2-hole (-2 or -2R), 3-hole (-3 or -3R), or 4-hole (-4). Sink shall be Kohler Model K-6657-\_\_\_\_\_-\_\_\_\_\_.

# RIVER FALLS™

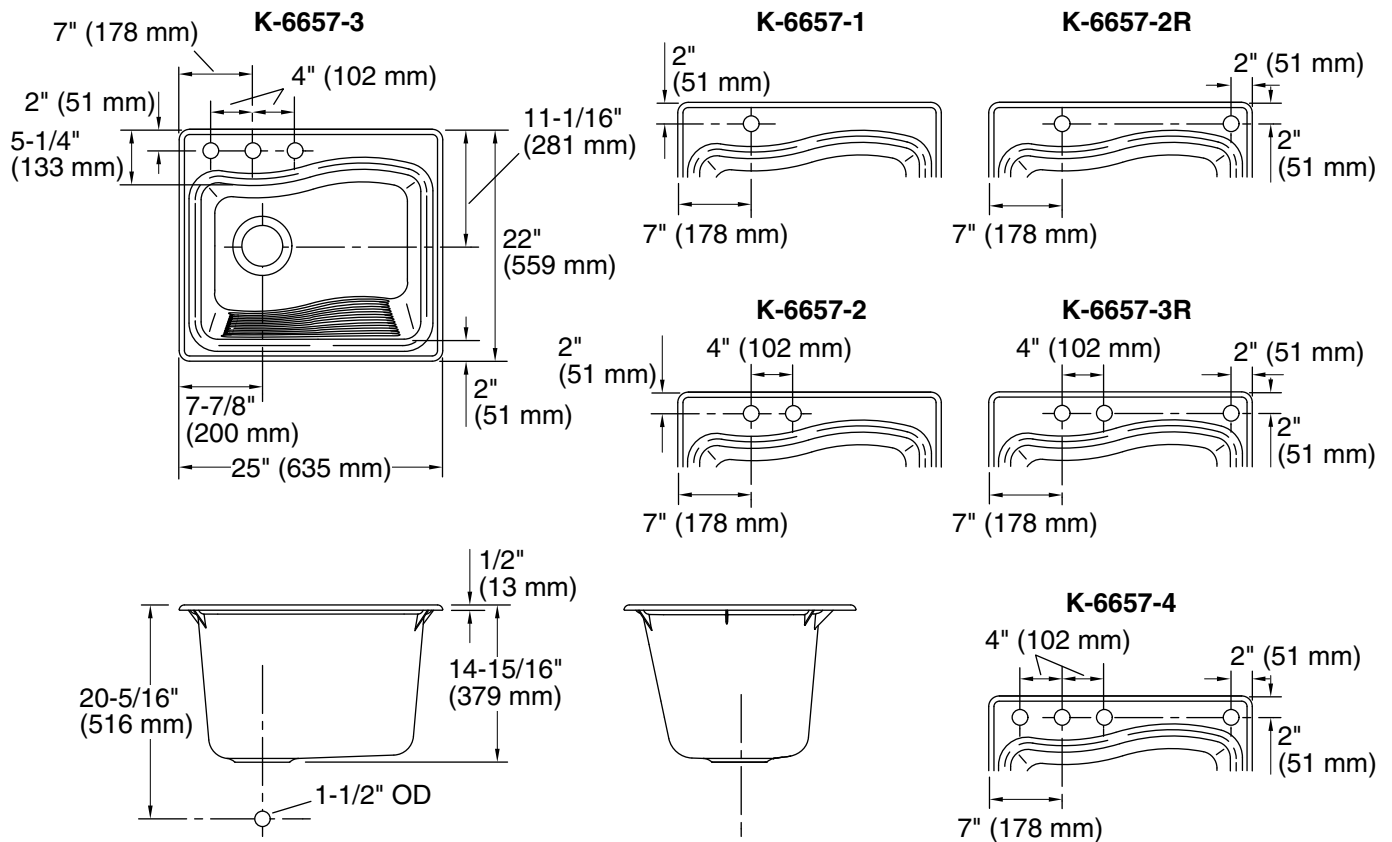
## Technical Information

Fixture*:	
Bowl area	21-1/2" (546 mm) x 14-3/4" (375 mm)
Water depth	14-1/4" (362 mm)
Drain holes	Ø 3-5/8" (92 mm)
Faucet holes	Ø 1-3/8" (35 mm)
* Approximate measurements for comparison only.	

Included components:	
Cut-out template	1079984-7

## Installation Notes

Install this product according to the installation guide.



## Product Diagram