

**SINGLE-CONTROL LAVATORY
FAUCET
K-6268**

ADA

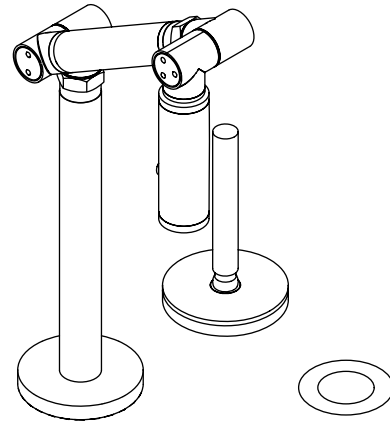
Features

- Metal and carbon fiber construction
- Brass valve bodies
- Articulating spout
- One-piece, self-contained ceramic disc valve allows both volume and temperature control
- Flexible connections for easy installation
- Countertop-mount installation
- Integral sprayhead
- 2" (5.1 cm) diameter valve
- 1.5 gpm (5.7 lpm) maximum flow rate

Codes/Standards Applicable

Specified model meets or exceeds the following at date of manufacture:

- ADA
- ASME A112.18.1/CSA B125.1
- ICC/ANSI A117.1
- Energy Policy Act of 1992
- NSF 61
- All applicable US Federal and State material regulations



Colors/Finishes

- CP: Polished Chrome
- Other: Refer to Price Book for additional colors/finishes

Specified Model

Model	Description	Colors/Finishes	
K-6268-C11	Single-control lavatory faucet with silver tube	<input type="checkbox"/> CP	<input type="checkbox"/> Other _____
K-6268-C12	Single-control lavatory faucet with black tube	<input type="checkbox"/> CP	<input type="checkbox"/> Other _____

Product Specification

The single-control lavatory faucet shall be constructed of metal and carbon fiber. Product shall have a maximum flow rate of 1.5 gallons (5.7 L) per minute with an articulating spout. Product shall feature a one-piece, self-contained ceramic disc valve, which allows both volume and temperature control. Product shall feature a integral sprayhead and a 2" (5.1 cm) diameter remote joystick valve, and ADA compliant remote lever handle. Product shall feature a variable spout reach from less than 2" (5.1 cm) to over 6" (15.2 cm). Product shall feature flexible connections for easy installation. Product shall be for a countertop-mount installation. Faucet shall be Kohler Model K-6268-____.

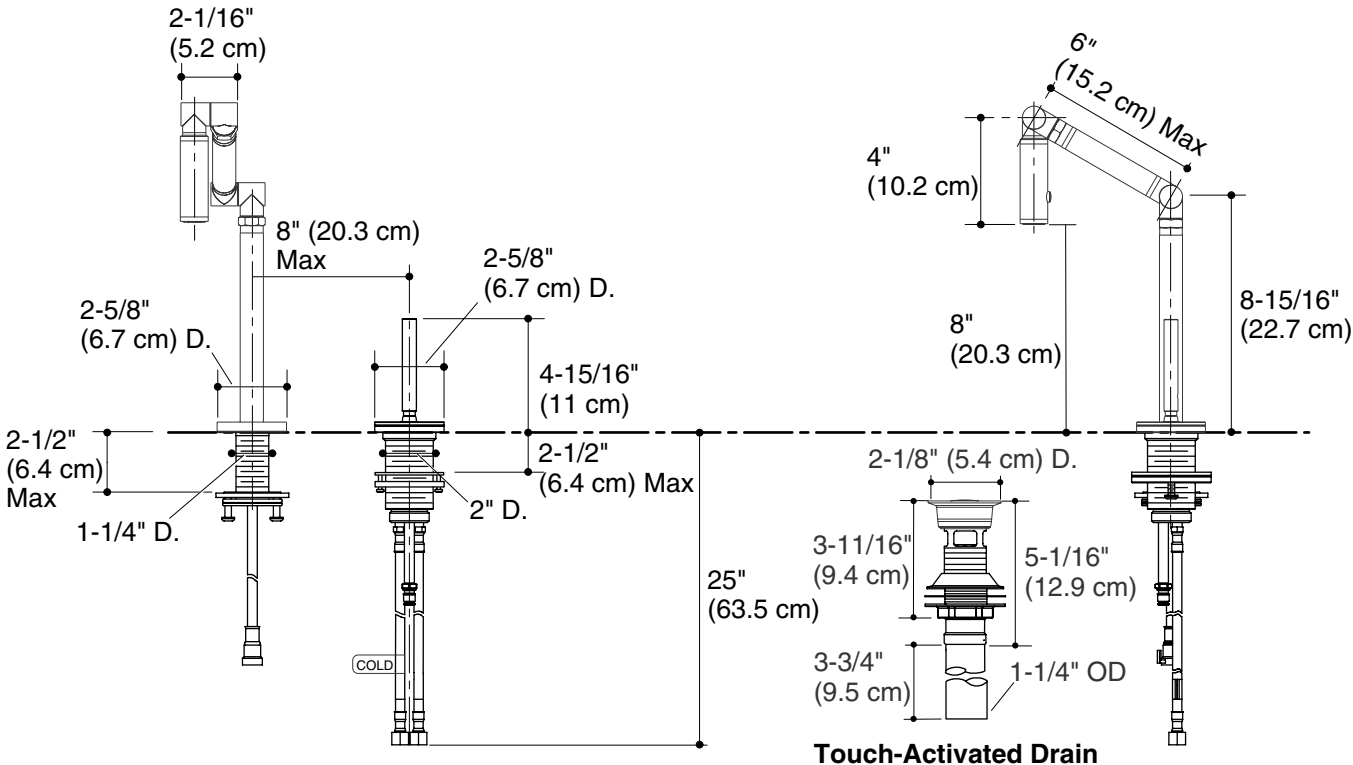
KARBON®

Installation Notes

Install this product according to the installation guide.

NOTICE: Due to the non-standard 2" (5.1 cm) diameter of the remote valve, the remote valve **cannot** be mounted through a standard 1-3/8" (3.5 cm) faucet hole of a sink. Choose a sink without faucet holes, then mount the faucet and remote valve through the countertop. Refer to the countertop manufacturer's instructions for proper hole drilling.

Lower flow aerator options are available. Please refer to the Kohler Price Book.



Touch-Activated Drain

Product Diagram