

**Features**

- Metal construction
- Two quarter-turn washerless ceramic disc valves
- 8 3/8" (21.3 cm) spout reach
- Flexible connections for easy installation
- Available with or without matching finish sidespray
- For 8" (20.3 cm) centers
- 360° spout rotation
- Optional aerator kits available
- 1.8 gallons (6.8 L) per minute maximum flow rate
- Meets CALGreen requirements for kitchen faucets

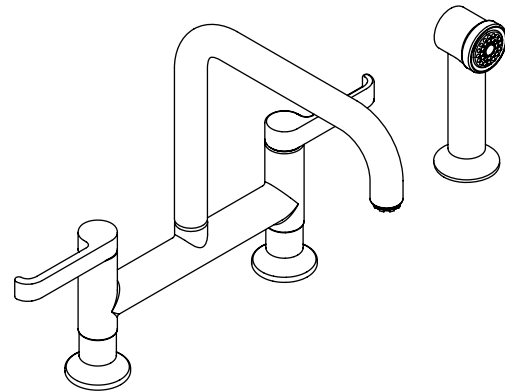
**DECK-MOUNT BRIDGE KITCHEN  
SINK FAUCET  
K-6125  
ALSO K-6126**

**ADA**

**Codes/Standards Applicable**

Specified model meets or exceeds the following at date of manufacture:

- ADA
- ICC/ANSI A117.1
- ASME A112.18.1/CSA B125.1
- Energy Policy Act of 1992
- NSF 61
- All applicable US Federal and State material regulations



**Colors/Finishes**

- CP: Polished Chrome
- Other: Refer to Price Book for additional colors/finishes

**Specified Model**

Model	Description	Colors/Finishes	
K-6125-4	Kitchen sink faucet – without sidespray	<input type="checkbox"/> CP	<input type="checkbox"/> Other ____
K-6126-4	Kitchen sink faucet – with sidespray (shown)	<input type="checkbox"/> CP	<input type="checkbox"/> Other ____
Optional Accessories			
1089003	Low flow aerator kit – 1.5 gpm (5.7 lpm)	<input type="checkbox"/> NA	
1088956	Aerator kit – 2.2 gpm (8.3 lpm)	<input type="checkbox"/> NA	
1030920	Side spray deep roughing-in kit	<input type="checkbox"/> NA	

**Product Specification**

The two-handle deck-mount bridge kitchen sink faucet shall be constructed of metal. Product shall have a maximum flow rate of 1.8 gallons (6.8 L) per minute with optional aerator kits available. Product shall feature two quarter-turn washerless ceramic disc valves, an 8-3/8" (21.3 cm) spout reach, 360° spout rotation, flexible connections for easy installation. Faucet shall be for 8" (20.3 cm) centers. Product shall be available with or without matching finish sidespray. Product shall meet CALGreen requirements for kitchen faucets. Faucet shall be Kohler Model K-\_\_\_\_-4-\_\_\_\_\_.

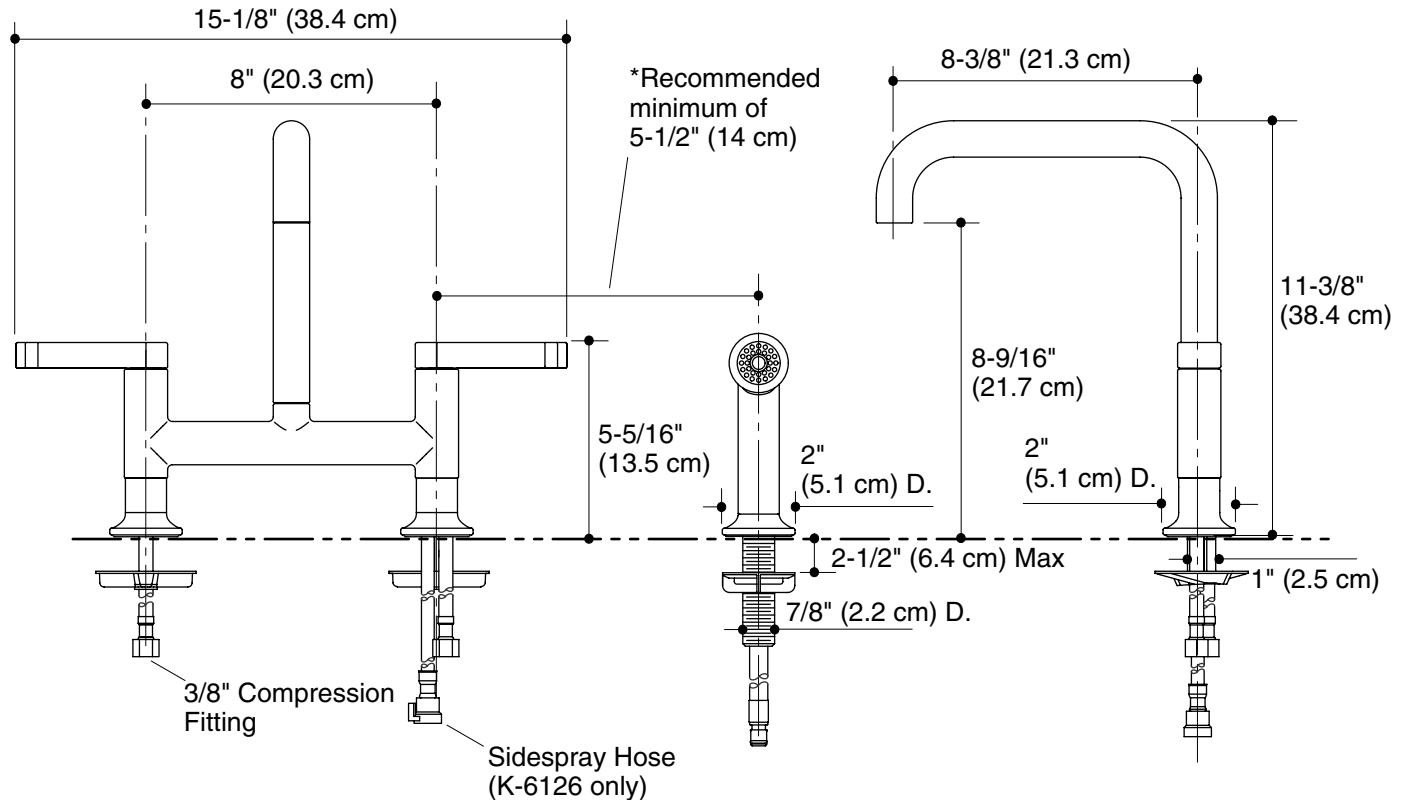
## Installation Notes

Install this product according to the installation guide.

**ADA** compliant when installed to the specific requirements of these regulations.

**\*For Model K-6126-4 with matching finish sidespray:** Drill the hole for the sidespray a minimum of 5-1/2" (14 cm) from the center of the lever handle.

If this faucet is being installed on a four-hole or five-hole cast iron sink (with 4" (10.2 cm) on center drilling), a compact handle kit (part number 1082534) is available to support this installation. Contact Kohler for more information.



## Product Diagram