

KITCHEN SINK FAUCET

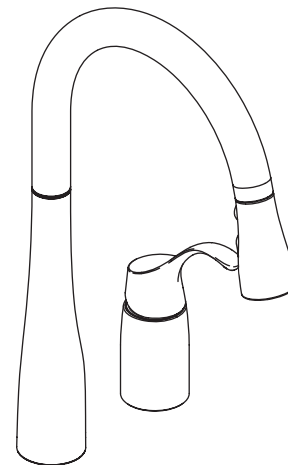
K-647

ALSO K-R648, K-649

ADA

Features

- Metal construction
- One-piece, self-contained ceramic disc valve allows both volume and temperature control
- Temperature memory allows faucet to be turned on and off at any temperature setting
- High-temperature limit setting for added safety
- Flexible connections for easy installation
- 2.2 gpm (8.3 lpm) flow rate
- ADA compliant remote lever handle
- Asymmetrical design
- Integral pullout spray with retractable hose
- Available with 9" (22.9 cm) or 8" (20.3 cm) spout reach



Codes/Standards Applicable

Specified model meets or exceeds the following:

- ASME A112.18.1/CSA B125.1
- Energy Policy Act of 1992
- NSF 61
- IAPMO/cUPC
- ADA

Colors/Finishes

- CP: Polished Chrome
- VS: Stainless Steel
- Other: Refer to Price Book for additional colors/finishes

Specified Model:

| Model | Description | Colors/Finishes | | |
|--------|---|-----------------------------|-----------------------------|--------------------------------------|
| | | <input type="checkbox"/> CP | <input type="checkbox"/> VS | <input type="checkbox"/> Other _____ |
| K-647 | 9" (22.9 cm) spout reach kitchen sink faucet (shown) | <input type="checkbox"/> CP | <input type="checkbox"/> VS | <input type="checkbox"/> Other _____ |
| K-R648 | 9" (22.9 cm) spout reach kitchen sink faucet with soap/lotion dispenser | <input type="checkbox"/> CP | <input type="checkbox"/> VS | <input type="checkbox"/> Other _____ |
| K-649 | 8" (20.3 cm) spout reach kitchen sink faucet | <input type="checkbox"/> CP | <input type="checkbox"/> VS | <input type="checkbox"/> Other _____ |

Product Specification

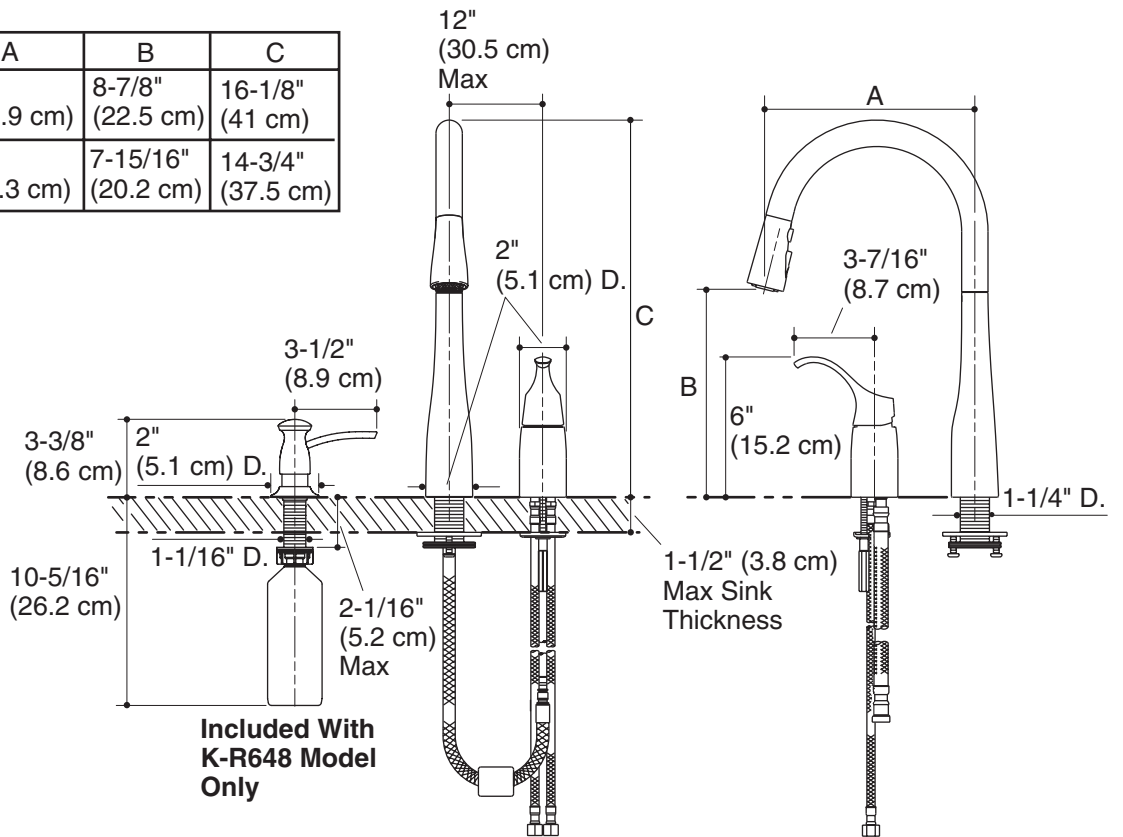
Kitchen sink faucet with asymmetrical design shall be of metal construction. The valve shall be a one-piece, self-contained ceramic disc valve, allowing volume and temperature control. The valve shall feature temperature memory, allowing the faucet to be turned on and off at any temperature setting. Product shall feature a high-temperature limit stop for added safety, integral pullout spray with retractable hose, and ADA compliant remote lever handle. Product shall include flexible connections for easy installation. Product shall have a 2.2 gallon (8.3 L) per minute flow rate. Product shall be available with a 9" (22.9 cm) or 8" (20.3 cm) spout reach. Kitchen faucet shall be Kohler Model K-_____-_____.

SIMPLICE™

Installation Notes

Install this product according to the installation guide.

| Model | A | B | C |
|---------------------|-----------------|-----------------------|----------------------|
| K-647/K-R648 | 9" (22.9 cm) | 8-7/8" (22.5 cm) | 16-1/8" (41 cm) |
| K-649 | 8" (20.3 cm) | 7-15/16" (20.2 cm) | 14-3/4" (37.5 cm) |



Product Diagram