

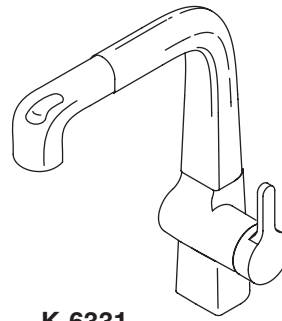
Features

- Metal construction
- One-piece, self-contained ceramic disc valve allows both volume and temperature control
- Temperature memory allows faucet to be turned on and off at any temperature setting
- High-temperature limit setting for added safety
- Three-function sprayhead with spray, aerated stream, and pause settings
- Promotion™ technology with nylon hose and ball joint for easy operation
- ADA compliant lever handle
- Contemporary styling
- 360° spout rotation
- 9" (22.9 cm) or 8" (20.3 cm) swing spout reach
- Lower flow aerator options available (refer to the Kohler Price Book)
- 2.2 gallons (8.3 L) per minute maximum flow rate

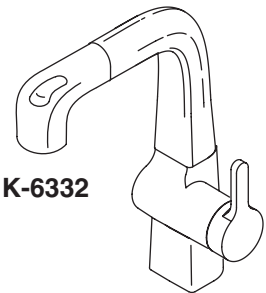
PULL-OUT KITCHEN SINK FAUCET

K-6331
ALSO K-6332

ADA



K-6331



K-6332

Codes/Standards Applicable

Specified model meets or exceeds the following at date of manufacture:

- ADA
- ASME A112.18.1/CSA B125.1
- ICC/ANSI A117.1
- Energy Policy Act of 1992
- NSF 61
- All applicable US Federal and State material regulations

Colors/Finishes

- CP: Polished Chrome
- Other: Refer to Price Book for additional colors/finishes

Specified Model

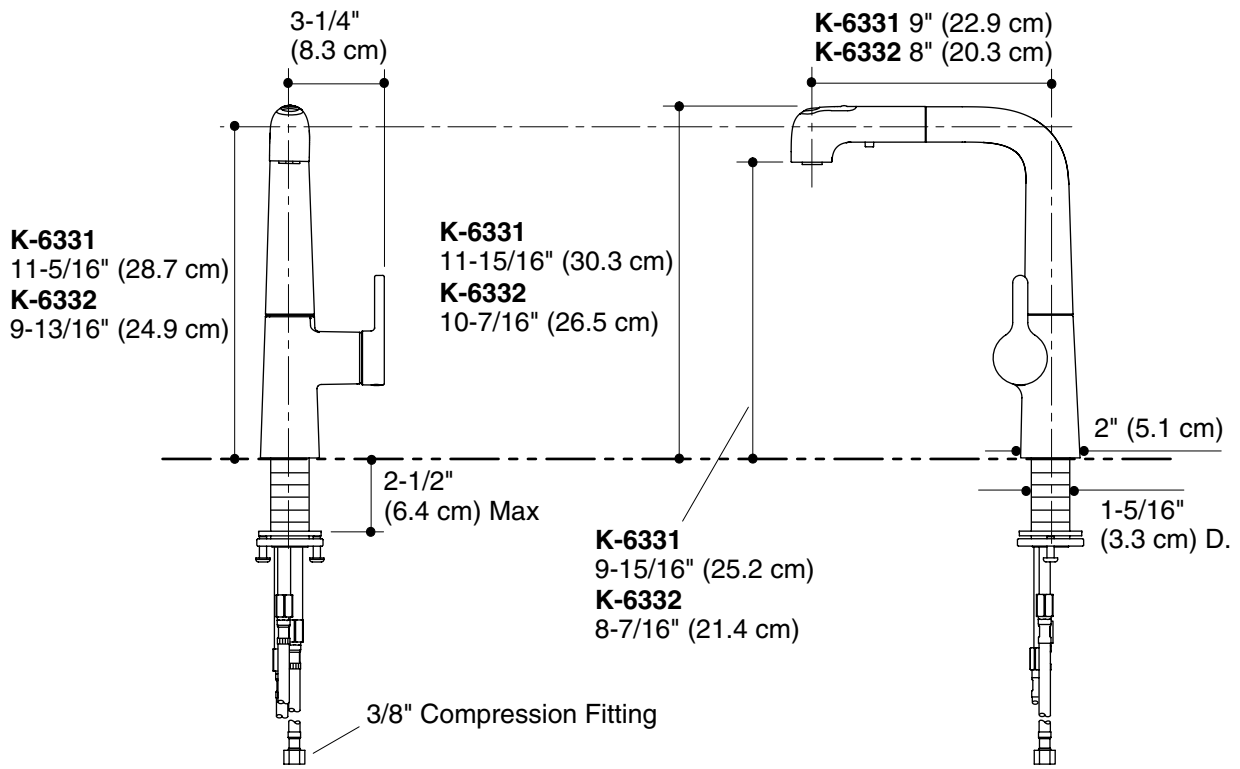
Model	Description	Colors/Finishes
K-6331	Pull-out kitchen sink faucet – 9" (22.9 cm) spout reach	<input type="checkbox"/> CP <input type="checkbox"/> Other _____
K-6332	Pull-out kitchen sink faucet – 8" (20.3 cm) spout reach	<input type="checkbox"/> CP <input type="checkbox"/> Other _____

Product Specification

The contemporary pull-out kitchen sink faucet shall be of metal construction. Product shall have a maximum flow rate of 2.2 gallons (8.3 L) per minute with lower flow aerator options available (refer to the Kohler Price Book). Product shall feature a one-piece, self-contained ceramic disc valve, allowing volume and temperature control. Product shall feature temperature memory, allowing the faucet to be turned on and off at any temperature setting. Product shall feature a high-temperature limit setting for added safety. Product shall feature a 360° spout rotation. Product shall feature a three-function sprayhead with spray, aerated stream, and pause settings. Product shall feature Promotion technology with nylon hose and ball joint for easy operation and an ADA compliant lever handle. Product shall be available with a 9" (22.9 cm) or 8" (20.3 cm) swing spout reach. Pull-out kitchen faucet shall be Kohler Model K-_____-_____.

Installation Notes

Install this product according to the installation guide.



Product Diagram