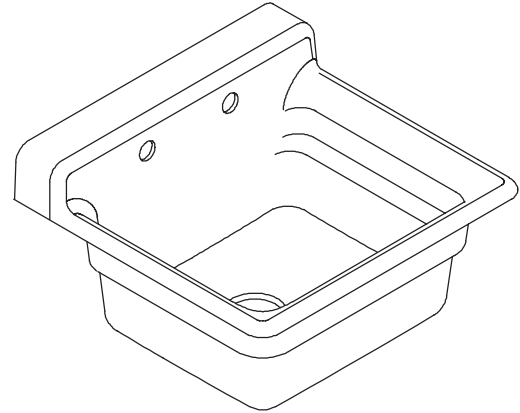


## FEATURES

- 25-1/2" (64.8cm) x 24" (61cm)
- Cast iron
- Acid resistant enamel finish
- Single compartment
- Three hole (6608-3) or (6608-3P) faucet punching
- Two hole (K-6608-2) or (K-6608-2P) faucet punching
- Single hole (K-6608-1) or (K-6608-1P) faucet punching
- Self-rim countertop installation or install in optional wood sink stand



## CODES/STANDARDS APPLICABLE

Specified model meets or exceeds the following:

- ASME/ANSI A112.19.1M
- IAPMO/UPC
- Canadian Standards Association (CSA)

## COLORS/FINISHES

- 0 White
- Other Refer to Fixtures Price Book for additional colors

### Accessories:

- CP Polished Chrome
- ST Stainless Steel
- Other Refer to Price Book for additional finishes

## SPECIFIED MODEL:

Model	Description	Colors/Finishes	
K-6608-1	Single-hole center, on top of backsplash	<input type="checkbox"/> 0 White	<input type="checkbox"/> Other_____
K-6608-2	Two-hole center, on front of backsplash (shown)	<input type="checkbox"/> 0 White	<input type="checkbox"/> Other_____
K-6608-3	Three-hole center, on top of backsplash	<input type="checkbox"/> 0 White	<input type="checkbox"/> Other_____
K-6608-1P	Single-hole center, on top of backsplash with painted underside for wood sink stand installation	<input type="checkbox"/> 0 White	<input type="checkbox"/> Other_____
K-6608-2P	Two-hole center, on front of backsplash with painted underside for wood sink stand installation	<input type="checkbox"/> 0 White	<input type="checkbox"/> Other_____
K-6608-3P	Three-hole center, on top of backsplash with painted underside for wood sink stand installation	<input type="checkbox"/> 0 White	<input type="checkbox"/> Other_____

### Recommended Accessories

K-8801	Duostrainer sink strainer	<input type="checkbox"/> CP	<input type="checkbox"/> Other_____
--------	---------------------------	-----------------------------	-------------------------------------

### Optional Accessories

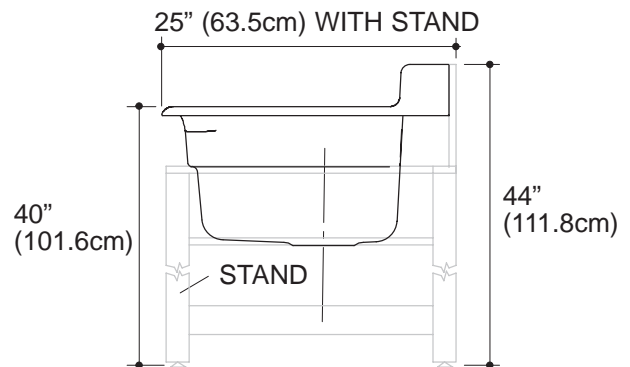
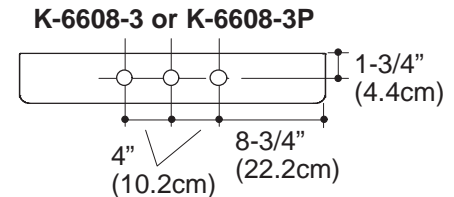
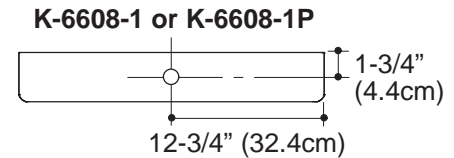
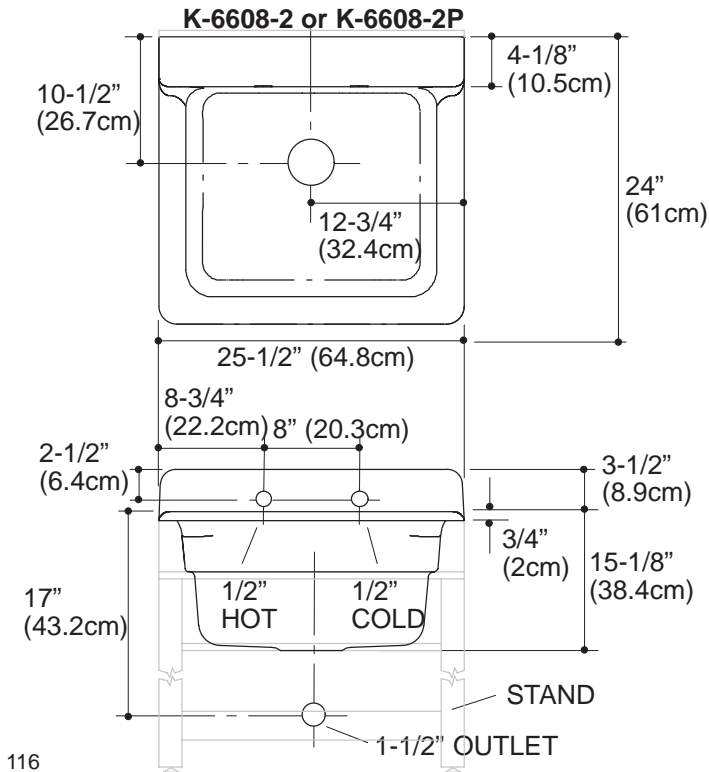
K-6027	Wood grate	<input type="checkbox"/> NA
K-6034	Bottom basin rack	<input type="checkbox"/> ST
K-6618	Wood sink stand	<input type="checkbox"/> NA

## PRODUCT SPECIFICATION:

The countertop sink shall be 25-1/2" (64.8cm) in length, and 24" (61cm) in width. Sink shall be made of cast iron with acid resistant enamel finish. Sink shall be single compartment. Sink shall have single-hole drilling (K-6608-1) or (K-6608-1P), two-hole drilling (K-6608-2) or (K-6608-2P) and three-hole drilling (K-6608-3) or (K-6608-3P). Sink shall be self-rim countertop installation or install in optional wood sink stand. Sink shall be Kohler Model K-6608-\_\_\_\_\_ - \_\_\_\_\_.

## PRODUCT INFORMATION

Fixture*:		basin area	water depth
Sink		20-9/16" (52.2cm) x 17-1/8" (43.5cm)	11" (27.9cm)
Water capacity	16.5 gallons (62.4L)		
Faucet holes	1-3/8" D. (3.5cm)		
Drain hole	3-7/8" D. (9.8cm)		
* Approximate measurements for comparison only.			
Cutout, countertop	24-1/2" (62.2cm) X 19-3/4" (50.2cm) with 1/2" (1.3cm) radius corners.		



116

## PRODUCT DIAGRAM