

#### Features

- Fireclay.
- Wall-mount.
- Rectangular basin with a contemporary design.
- With overflow.
- Single faucet hole.
- Coordinates with other products in the Rêve collection.
- 23-5/8" (600 mm) x 18-5/16" (465 mm) x 17-5/16" (440 mm)

#### Components

Product includes:

K-5027-1 Pedestal/Wall-mount Bathroom Sink

K-5031 Wall-mount Sink Shroud



#### Codes/Standards

ASME A112.19.2/CSA B45.1


#### KOHLER® One-Year Limited Warranty

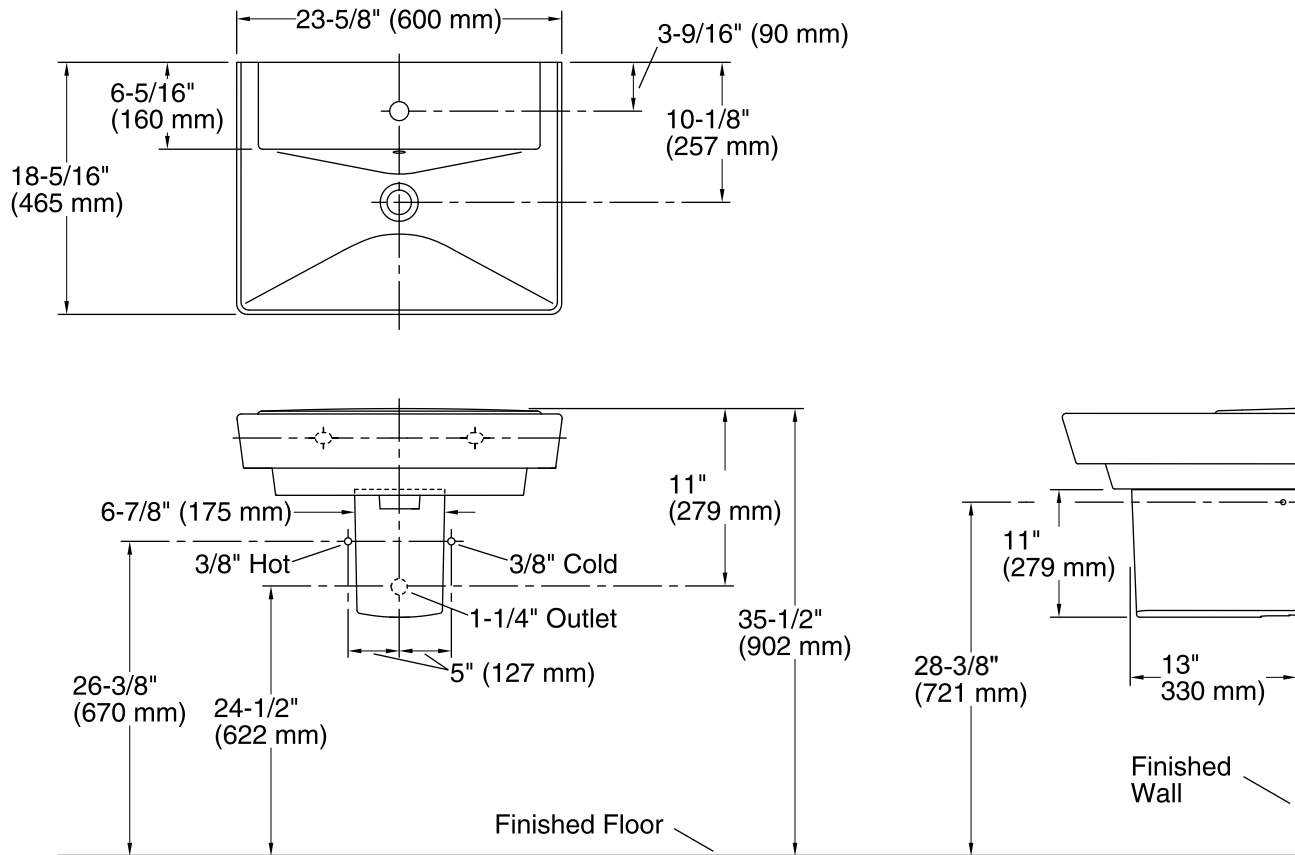
See website for detailed warranty information.

#### Available Color/Finishes

*Color tiles intended for reference only.*

Color	Code	Description
-------	------	-------------

	0	White
--	---	-------



## Technical Information

All product dimensions are nominal.

Bowl configuration:	Single
Installation:	Wall-mount, Wall-mount
Bowl area (Only)	Length: 23-5/8" (600 mm) Width: 12" (305 mm) Water depth: 3" (76 mm)
Number of deck holes:	1
Faucet hole(s):	1-3/8" (35 mm)
Drain hole:	1-3/4" (44 mm)

## Notes

Install this product according to the installation instructions.