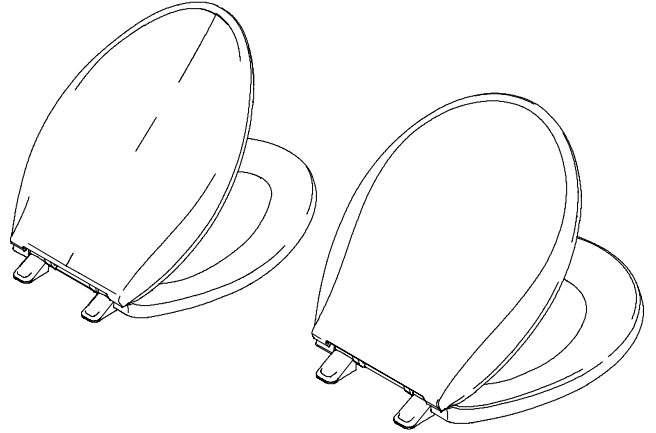


FEATURES

- Elongated or round front
- Solid plastic
- With ergonomically contoured seat
- Closed front
- Ergonomic lid for easy opening

K-4688, K-4689



CODES/STANDARDS APPLICABLE

Specified model meets or exceeds the following:

- None applicable

COLORS/FINISHES

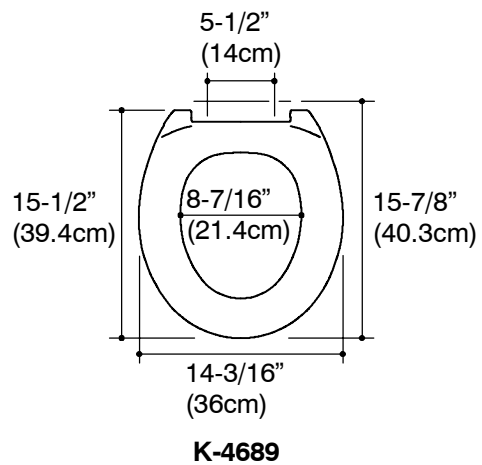
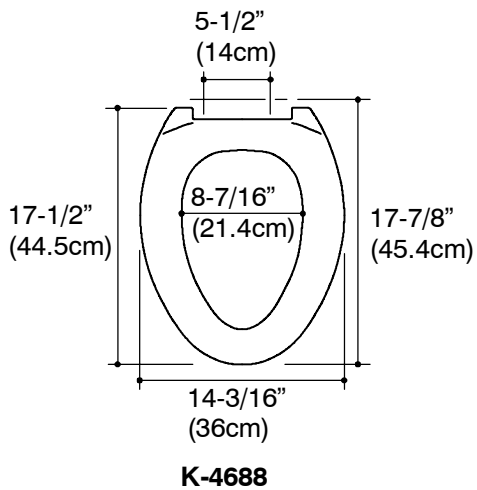
- 0 White
- Other Refer to Fixtures Price Book for additional colors

SPECIFIED MODEL:

Model	Description	Colors/Finishes	
K-4688-EB	Elongated closed front seat	<input type="checkbox"/> 0 White	<input type="checkbox"/> Other _____
K-4689-PB	Round closed front seat	<input type="checkbox"/> 0 White	<input type="checkbox"/> Other _____

PRODUCT SPECIFICATION:

The toilet seat shall be elongated closed front or round closed front with ergonomically contoured seat and cover. Toilet seat shall be made of solid plastic. Toilet seat shall be Kohler Model K-_____-_____.



PRODUCT DIAGRAM