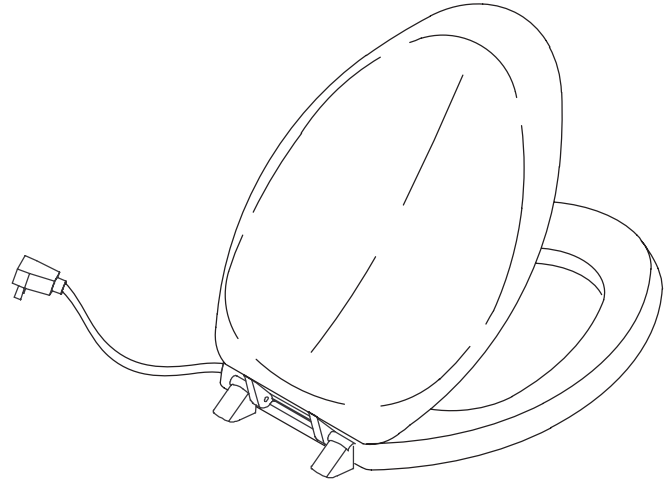


HEATED TOILET SEAT

K-4649

FEATURES

- Elongated closed front
- Ergonomically contoured seat and cover
- Durable chip-resistant polypropylene shell with enclosed heating element
- Fits most elongated toilets
- Warm, soothing heated surface
- Color-matched cordset
- 48" (121.9cm) long cord
- Continuous operation
- Power requirements, 120 VAC @ 13 watts
- Requires 120V., 15 A., 60 Hz., GFCI protected outlet



COLORS/FINISHES

- 0 White
- Other Refer to Fixtures Price Book for additional colors

CODES/STANDARDS APPLICABLE

Specified model meets or exceeds the following:

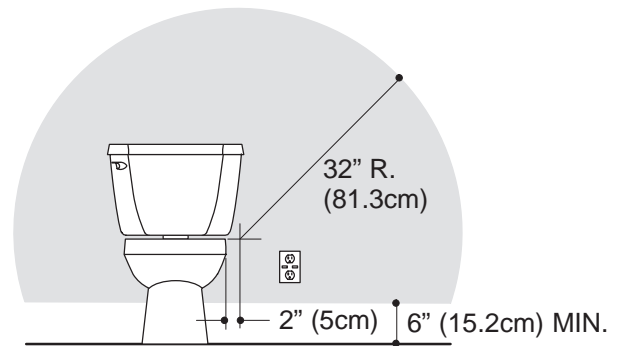
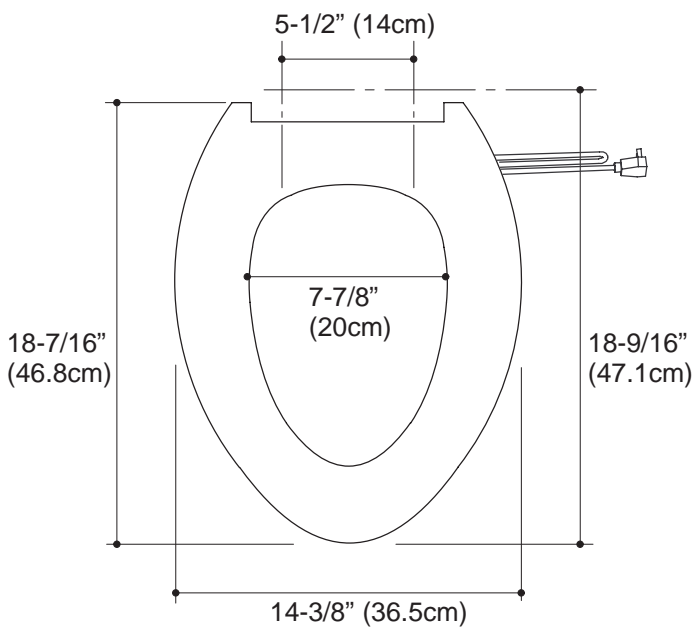
- Underwriters Laboratories (UL)

SPECIFIED MODEL:

Model	Description	Colors/Finishes	
K-4649	Elongated closed front heated seat	<input type="checkbox"/> 0 White	<input type="checkbox"/> Other_____

PRODUCT SPECIFICATION:

The toilet seat shall be elongated closed front. Toilet seat shall be ergonomically contoured. Toilet seat shall have durable chip-resistant polypropylene shell with enclosed heating element. Toilet seat shall fit most elongated toilets. Toilet seat shall have warm, soothing heated surface. Toilet seat shall have color-matched cordset. Toilet seat shall have a 48" (121.9cm) long cord. Toilet seat shall have continuous operation. Toilet seat power requirements shall be 120 VAC @ 13 watts. Toilet seat shall require a 120V., 15 A., 60 Hz., GFCI protected outlet. Toilet seat shall be Kohler Model K-4649-_____.



ELECTRICAL SERVICE DETAIL

The receptacle should be located at least 6" (15.2cm) above the floor line, and within a 32" radius (81.3cm) measured 2" (5cm) to the right of the toilet ledge, as shown.

PRODUCT DIAGRAM