

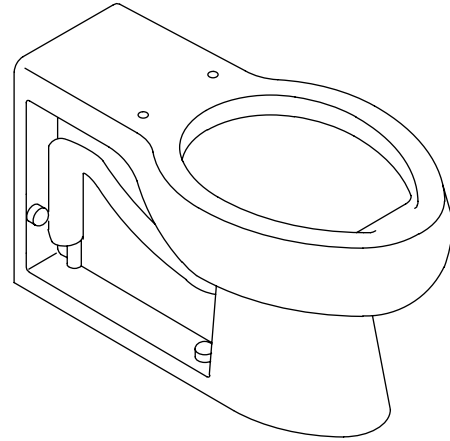
### Features

- Vitreous china
- Elongated bowl
- Angle back and wall outlet
- 4-1/2" (114 mm) rough-in
- 1-1/2" rear spud
- 2-3/8" (60 mm) passageway
- 11" (279 mm) x 9-1/2" (241 mm) water area
- 1.6 gpf (6 lpf)
- 27-1/2" (699 mm) x 14-1/2" (368 mm) x 15" (381 mm)

**BOWL  
K-4396**

**CSA B651**

**OBC**



### Codes/Standards Applicable

Specified model meets or exceeds the following:

- CSA B651
- OBC
- ASME A112.19.2/CSA B45.1

### Colors/Finishes

- 0: White
- Other: Refer to Price Book for additional colors/finishes

### Accessories

- 0: White
- Other: Refer to Price Book for additional colors/finishes

### Specified Model

Model	Description	Colors/Finishes	
K-4396	Elongated bowl toilet	<input type="checkbox"/> 0	<input type="checkbox"/> Other_____
K-4396-L	Elongated bowl toilet with bedpan lugs	<input type="checkbox"/> 0	<input type="checkbox"/> Other_____

Recommended Accessories			
K-4670-C	Lustra™ open front seat	<input type="checkbox"/> 0	<input type="checkbox"/> Other_____
K-4670-CA	Lustra™ open front seat with anti-microbial agent	<input type="checkbox"/> 0	
21401	Floor bolts (pair)		

### Product Specification

The elongated bowl shall be 4-1/2" (114 mm) rough-in with a 1-1/2" rear spud. Bowl shall be made of vitreous china. Bowl shall be 1.6 gpf (6 lpf). Bowl shall have a 2-3/8" (60 mm) passageway. Bowl shall have 11" (279 mm) by 9-1/2" (241 mm) water area. Bowl shall have angle back and wall outlet. Bowl shall be 27-1/2" (699 mm) in length, 14-1/2" (368 mm) in width, and 15" (381 mm) in height. Bowl shall be Kohler Model K-4396-\_\_\_\_\_-\_\_\_\_\_.

# ANGLESEY™

## Technical Information

Fixture:	
Configuration	Rear spud, elongated
Water per flush	1.6 gal (6 L)*
Spud size	1-1/2"
Passageway	2-3/8" (60 mm)
Water area	11" (279 mm) x 9-1/2" (241 mm)
Water depth from rim	5-1/4" (133 mm)
Seat post hole centers	5-1/2" (140 mm)
Minimum static pressure required	35 psi (241.3 kPa)
Maximum static pressure	80 psi (551.6 kPa)
Minimum flowing pressure required	25 psi (172.4 kPa)
Required supply minimum	25 gpm (94.6 lpm)
* Designed to flush with 1.6 gal (6 L) of water when installed with a 1.6 gpf (6 lpf) valve.	

Included components:	
Spud	18357
Bolt caps (pair)	52048
Floor screws (pair)	21402

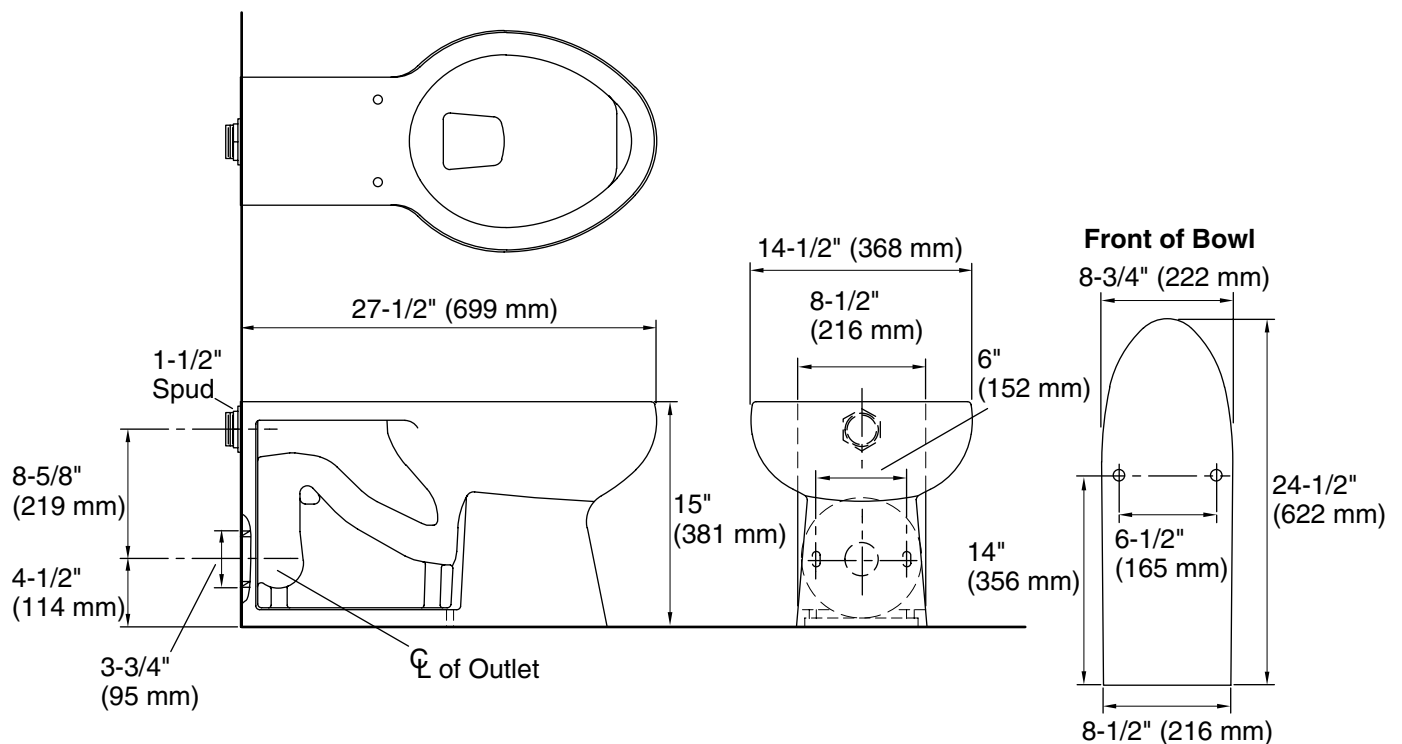
## Installation Notes

Install this product according to the installation guide.

Refer to manufacturer and local codes for flush valve requirements.

Will comply with **CSA B651** when installed per Clause 4.3.6 of the standard.

Will comply with **OBC** Barrier Free requirements when installed per Clause 3.8.3.8 and 3.8.3.9.



## Product Diagram