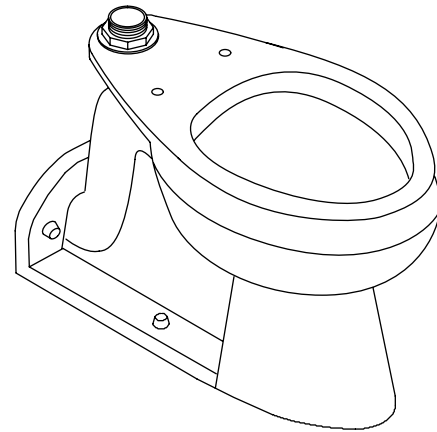


COMFORT HEIGHT® HIGH EFFICIENCY BOWL K-4352

ADA

Features

- Vitreous china
- Elongated bowl
- Comfort Height®
- 1-1/2" top spud
- Less seat and supply
- 4" (10.2 cm) rough-in
- 2-1/8" (5.4 cm) glazed trapway
- High efficiency 1.28 gpf (4.8 lpf)
- Floor-mount rear outlet flushometer bowl
- Available with bedpan lugs (-L)
- Optimal performance when paired with Kohler 1.28 gpf (4.8 lpf) valves
- 31-1/2" (80 cm) x 14-7/8" (37.8 cm) x 17" (43.2 cm)



Codes/Standards Applicable

Specified model meets or exceeds the following:

- ADA
- ICC/ANSI A117.1
- ASME A112.19.2/CSA B45.1
- Energy Policy Act of 1992

Colors/Finishes

- 0: White
- Other: Refer to Price Book for additional colors/finishes

Accessories

- 0: White
- CP: Polished Chrome
- Other: Refer to Price Book for additional colors/finishes

Specified Model

Model	Description	Colors/Finishes	
K-4352	Comfort Height high efficiency bowl	<input type="checkbox"/> 0	<input type="checkbox"/> Other_____
K-4352-L	Comfort Height high efficiency bowl with bedpan lugs	<input type="checkbox"/> 0	<input type="checkbox"/> Other_____

Recommended Accessories			
K-4731-C	Stronghold® open-front seat with check hinge	<input type="checkbox"/> 0	<input type="checkbox"/> Other_____
K-4731-SC	Stronghold® open-front seat with self-sustaining check hinge	<input type="checkbox"/> 0	<input type="checkbox"/> Other_____
K-4654	Lustra™ open-front seat with support arms and cover	<input type="checkbox"/> 0	
K-4670-CA	Lustra™ open-front seat (with anti-microbial agent)	<input type="checkbox"/> 0	

Product Specification

The elongated bowl shall be made of vitreous china. Product shall be 31-1/2" (80 cm) in length, 14-7/8" (37.8 cm) in width, and 17" (43.2 cm) in height with a 12" (30.5 cm) x 10" (25.4 cm) water area. Product shall be 4" (10.2 cm) rough-in and high efficiency 1.28 gpf (4.8 lpf). Product shall be Comfort Height, less seat and supply. Product shall have 2-1/8" (5.4 cm) glazed trapway, and a 1-1/2" top spud. Product shall be available with bedpan lugs (-L). Product shall be floor-mount rear outlet flushometer bowl. Product shall feature optimal performance when paired with Kohler 1.28 gpf (4.8 lpf) valves. Bowl shall be Kohler Model K-4352-_____.

ANGLESEY™

Recommended Accessories

K-10673	1.28 gpf (4.8 lpf) WAVE exposed toilet flushometer	<input type="checkbox"/> CP
K-10956	1.28 gpf (4.8 lpf) Touchless™ DC toilet flushometer with Tripoint™ technology	<input type="checkbox"/> CP

Technical Information

Fixture:	
Configuration	top spud, elongated
Water per flush	1.28 gal (4.8 L)*
Passageway	2-1/8" (5.4 cm)
Water area	12" (30.5 cm) x 10" (25.4 cm)
Water depth from rim	5-7/8" (14.9 cm)
Seat post hole centers	5-1/2" (14 cm)
* Designed to flush with 1.28 gallons (4.8 L) of water when installed with a 1.28 gpf (4.8 lpf) valve.	

Included components:

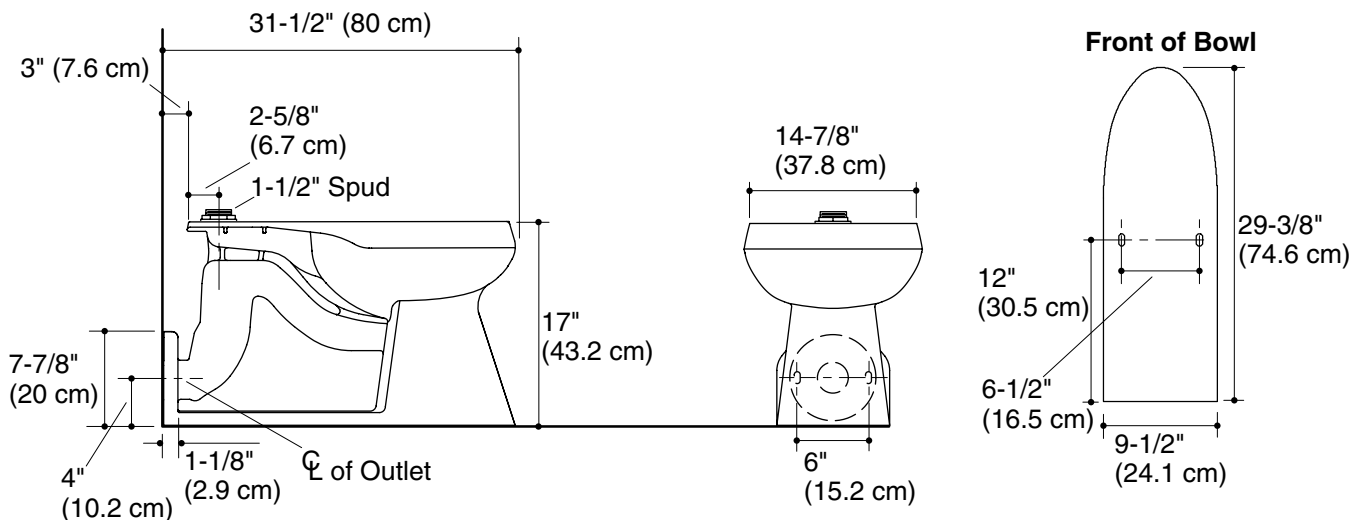
Bowl	K-4352
Spud	18357
Floor screws and bolt caps	52049
Bolt cap accessory pack	1013092

Installation Notes

Install this product according to the installation guide.

Will comply with the American Disabilities Act (ADA) when installed per the requirements of the Accessibility Guidelines, Section 604 Water Closets, of the Act. The Model Plumbing Codes require the installation of elongated open-front toilet seats in public bathrooms.

For back-to-back installations: Connect the toilet to the vertical stack using a: double fixture fitting, double combination wye and 1/8 bends, or double wye and 1/8 bends.



Product Diagram

ANGLESEY™ COMFORT HEIGHT® HIGH EFFICIENCY BOWL

Page 2 of 2
1132787-4-B

THE BOLD LOOK
OF **KOHLER**®