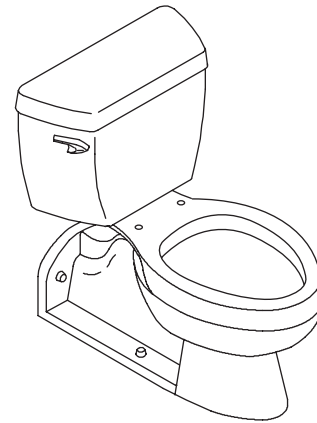


PRESSURE LITE™ TOILET K-3652



Features

- Vitreous china
- Elongated combination toilet
- 1 gpf (4 lpf)
- 4" (10.2 cm) rough-in
- Rear outlet
- Polished chrome trip lever
- Equipped with Sloan FLUSHMATE® – Sloan® Valve Company
- Less seat and supply
- Available with right-hand trip lever (-RA)
- Available with tank cover locks (-T)
- 12" (30.5 cm) x 10" (25.4 cm) water area
- 28-3/4" (73 cm) x 21-1/4" (54 cm) x 29-1/4" (74.3 cm)



Codes/Standards Applicable

Specified model meets or exceeds the following:

- ASME A112.19.2/CSA B45.1
- EPA Watersense™

Colors/Finishes

- 0: White
- Other: Refer to Price Book for additional colors/finishes

Accessories

- CP: Polished Chrome
- PB: Vibrant® Polished Brass

Specified Model

Model	Description	Colors/Finishes	
K-3652	Elongated bowl toilet – left-hand trip lever (shown)	<input type="checkbox"/> 0	<input type="checkbox"/> Other _____
K-3652-RA	Elongated bowl toilet – right-hand trip lever	<input type="checkbox"/> 0	<input type="checkbox"/> Other _____
K-3652-T	Elongated bowl toilet – left-hand trip lever with tank cover locks	<input type="checkbox"/> 0	<input type="checkbox"/> Other _____

Recommended Accessories			
K-4652	Lustra™ elongated closed-front seat with cover	<input type="checkbox"/> 0	<input type="checkbox"/> Other _____
K-4652-A	Lustra elongated closed-front seat with cover – anti-microbial agent	<input type="checkbox"/> 0	
K-7637	Angle supply with stop – 3/8" NPT	<input type="checkbox"/> CP	<input type="checkbox"/> Other _____

Product Specification

The elongated combination toilet shall be made of vitreous china. Toilet shall be 28-3/4" (73 cm) in length, 21-1/4" (54 cm) in width, and 29-1/4" (74.3 cm) in height with a 12" (30.5 cm) x 10" (25.4 cm) water area. The toilet shall feature a 4" (10.2 cm) rough-in and rear outlet. Toilet shall be 1.1 gal (4.2 L) per flush. Toilet shall be equipped with a Sloan FLUSHMATE – Sloan Valve Company and include a polished chrome trip lever. Toilet shall be available with a right-hand trip lever (-RA) or tank cover locks (-T). Toilet shall be less seat and supply. Toilet shall be Kohler Model K-3652-____ or K-3652-____-____.

BARRINGTON™

Optional Accessories

K-9481-L	Left-hand trip lever – non-CP	<input type="checkbox"/> PB	<input type="checkbox"/> Other _____
K-9481-R	Right-hand trip lever – non-CP	<input type="checkbox"/> PB	<input type="checkbox"/> Other _____

Technical Information

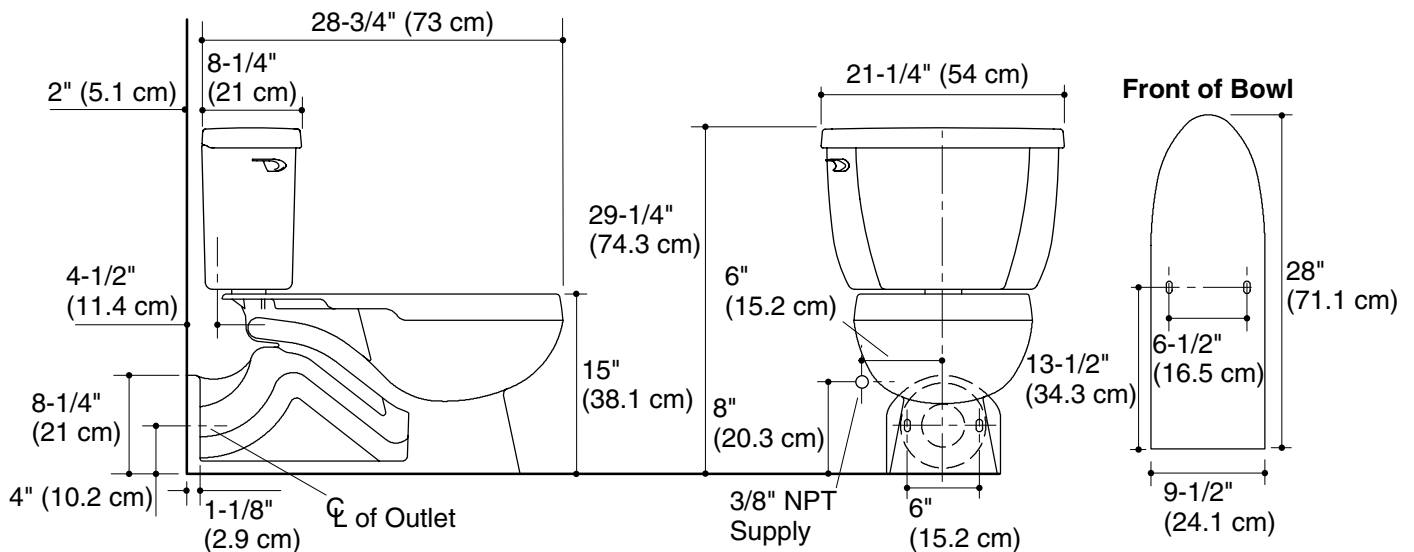
Fixture:	
Configuration	two-piece, elongated
Water per flush	1.1 gal (4.2 L)
Passageway	2-1/4" (5.7 cm)
Water area	12" (30.5 cm) x 10" (25.4 cm)
Water depth from rim	7" (17.8 cm)
Seat post hole centers	5-1/2" (14 cm)
Minimum static pressure required	35 psi (241.3 kPa)
Maximum static pressure	80 psi (551.6 kPa)

Included components*:

Bowl	K-4327
Tank	K-4484
Tank cover	1036375
Floor screws and bolt caps	52049
Bolt cap accessory pack	52048
Tank accessory pack	73062
Trip lever, left-hand	K-9481-L
Trip lever, right-hand	K-9481-R
*Equipped with Sloan FLUSHMATE® – Sloan® Valve Company.	

Installation Notes

Install this product according to the installation guide.



Product Diagram

BARRINGTON™ PRESSURE LITE™ TOILET

Page 2 of 2
1091646-4-B

THE BOLD LOOK
OF **KOHLER**®