

# KOHLER® Roughing-In

## K-513-H2, K-514-H2, K-783-H2, K-784-H2 MENDOTA™/GUARDIAN™ BATH WHIRLPOOL

### Product Information

Applicable products:	
Bath whirlpool – less grip rails, left drain	K-513-H2
Bath whirlpool – less grip rails, right drain	K-514-H2
Bath whirlpool – grip rails, left drain	K-783-H2
Bath whirlpool – grip rails, right drain	K-784-H2
Bath whirlpool is ADA compliant when installed with a seat at head end. <b>ADA</b>	

Fixture*:	
Bathing well:	
Basin area, bottom	46" (116.8 cm) x 20" (50.8 cm)
Basin area, top	53-3/4" (136.5 cm) x 24" (61 cm)
Weight	460 lbs (208.7 kg)
To overflow:	
Water depth	10-3/4" (27.3 cm)
Capacity	45 gal (170.3 L)
* Approximate measurements for comparison only.	

Pump:	kW	V	A
	1.5	240	11

Minimum access panel pump/control:	
32" (81.3 cm) W x 15" (38.1 cm) H	required

Required accessories:	
4-jet trim kit	K-9694
Grip rails (pair) – required for K-783/84-H2	K-9620

### Required Electrical Service

Dedicated circuit required, protected with Class A Ground-Fault Circuit-Interrupter (GFCI) or Residual Current Device (RCD):	
Pump/control	208-240 V, 20 A, 50/60 Hz

### Installation Notes

**NOTE:** Pump protrusion beyond rim.

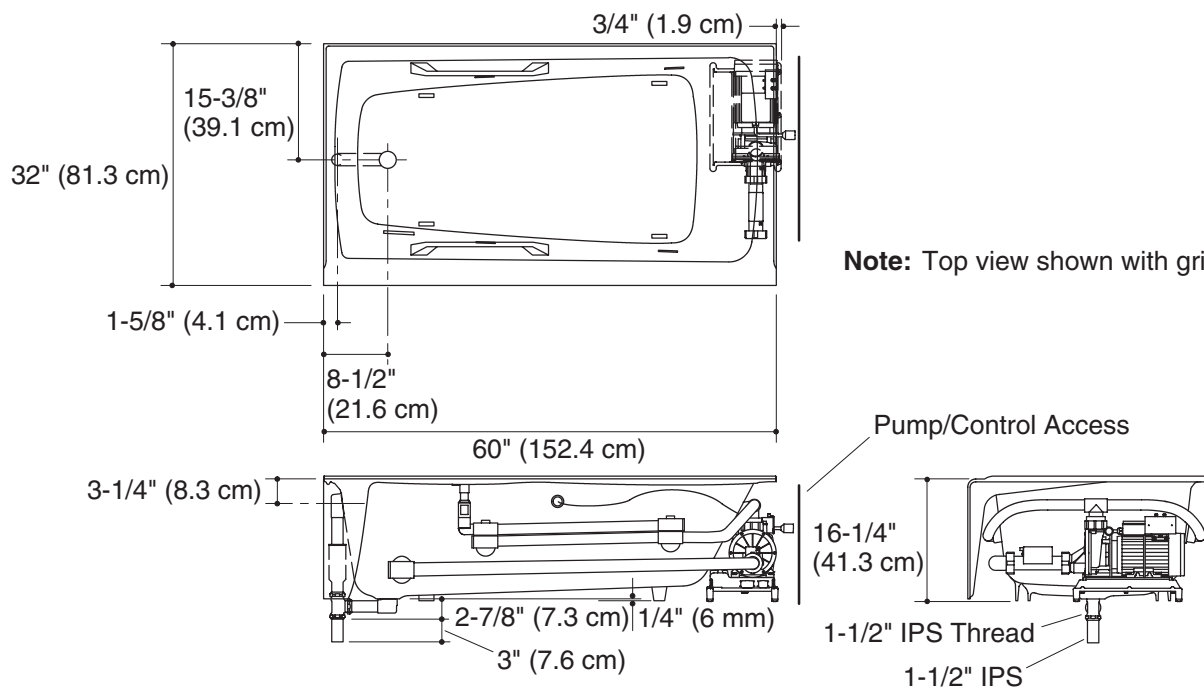
Install this product according to the installation guide.

Floor support under whirlpool must provide for a minimum of 65 lbs/square foot (315 kg/square meter) loading.

Fixture conforms to ASME Standard A112.19.1M. All dimensions are nominal.

No change in measurements if connected with drain illustrated. (K-7160-TF or K-7160M-TF)

#### K-783-H2



**Note:** Top view shown with grip rails.