

Features

- Two-piece toilet.
- Elongated bowl offers added room and comfort.
- Comfort Height® feature offers chair-height seating that makes sitting down and standing up easier for most adults.
- 1.28 gallons per flush (gpf).
- 2-1/8-inch glazed trapway.
- Standard left-hand Polished Chrome trip lever included.
- Seat and supply line not included.
- Coordinates with other products in the Bancroft collection.

Technology

- Single-flush gravity uses the force of gravity and a precision-engineered tank, bowl, and trapway to create a strong siphon during flushing.
- Class Five® flushing technology offers plug- and leak-free performance, extraordinary flushing, and better rinsing power for a cleaner bowl.

Installation

- Standard 12-inch rough-in.
- Three-bolt installation.

Water Conservation & Rebates

- WaterSense® toilets meet strict EPA flushing guidelines, including using at least 20 percent less water than 1.6-gallon toilets.
- Eligible for consumer rebates in some municipalities.
- Combination consists of the K-4383 tank and the K-4067 bowl.



ADA

CSA B651

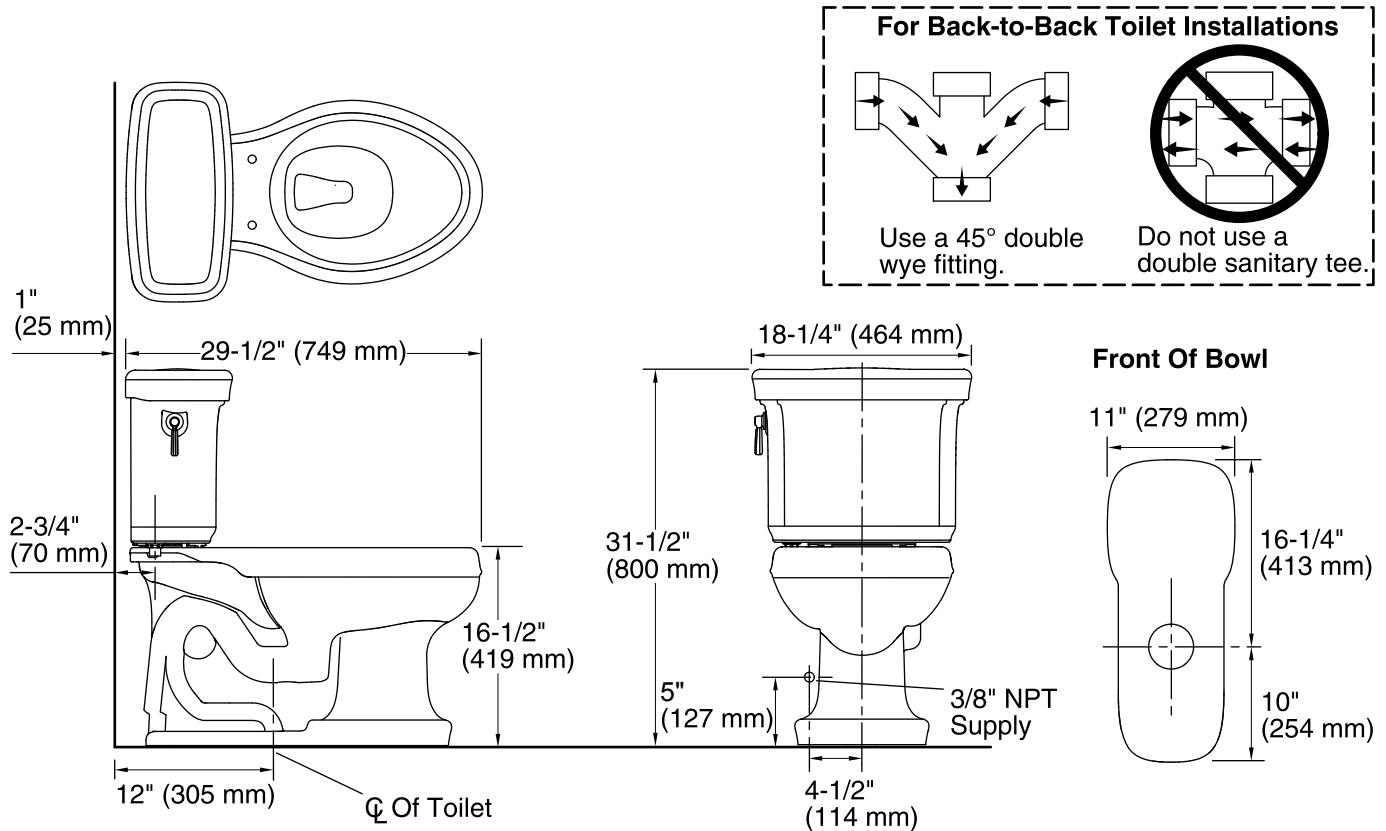
OBC

Codes/Standards

ASME A112.19.2/CSA B45.1
EPA WaterSense®
ADA
ICC/ANSI A117.1
CSA B651
OBC

Kohler One-Year Limited Warranty

See website for detailed warranty information.



Technical Information

All product dimensions are nominal.

- Toilet type: Two-piece
- Bowl shape: Elongated front
- Trap passageway: 2-1/8" (54 mm)
- Water Consumption
 - Full: 1.28 gpf (4.8 lpf)
- Water surface size: 11-1/4" x 9" (286 mm x 229 mm)
- Rim to water surface: 5-3/8" (137 mm)
- Rough-in: 12" (305 mm)
- Seat-mounting holes: 5-1/2" (140 mm)

Notes

- Install this product according to the installation instructions.
- For back-to-back toilet installations: Use only a 45° double wye fitting.
- The model is acceptable for left-hand Accessible compartment installations only.
- ADA, OBC, CSA B651 compliant when installed to the specific requirements of these regulations.
- Plumbing Codes require elongated toilets and elongated, open-front toilet seats in public bathrooms.
- Accessibility standards require controls to be located on the open side of the toilet.