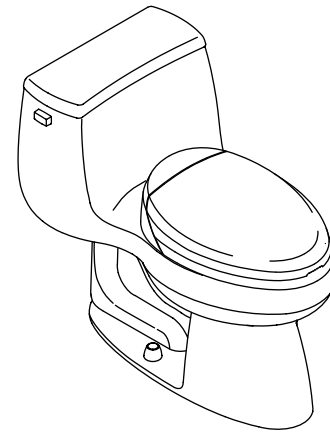


### Features

- 12" (30.5 cm) rough-in
- 2-1/8" (5.4 cm) glazed trapway
- Continuously heated water with 2 positionable spray wands
- Spray wands feature adjustable water pressure, temperature, oscillate and pulsate functions
- Air blower and heated seat with adjustable temperature settings
- Automatic deodorization and night light
- Remote control with two programmable presets
- Energy save function
- Anti-microbial materials used
- Quick-release design
- 11" (27.9 cm) x 8-1/2" (21.6 cm) water area
- 28-3/8" (72.1 cm) x 18-3/4" (47.6 cm) x 28" (71.1 cm)

### COMFORT HEIGHT® COMPACT TOILET WITH BIDET FUNCTIONALITY K-3825



### Codes/Standards Applicable

Specified model meets or exceeds the following:

- ASME A112.19.2/CSA B45.1
- ASME A112.4.2
- ANSI Z124.5
- UL 1431
- EPA WaterSense®

### Colors/Finishes

- 0: White
- Other: Refer to Price Book for additional colors/finishes

### Accessories

- CP: Polished Chrome
- PB: Vibrant® Polished Brass
- Other: Refer to Price Book for additional colors/finishes

### Specified Model

Model	Description	Colors/Finishes	
K-3825	Comfort Height® compact toilet with bidet functionality	<input type="checkbox"/> 0	<input type="checkbox"/> Other _____

### Product Specification

The toilet shall be 28-3/8" (72.1 cm) in length, 18-3/4" (47.6 cm) in width and 28" (71.1 cm) in height. Toilet shall have a 12" (30.5 cm) rough-in. Toilet shall have a 11" (27.9 cm) x 8-1/2" (21.6 cm) water area. Toilet shall have 2-1/8" (5.4 cm) glazed trapway. Toilet shall feature continuously heated water with two positionable spray wands with adjustable water pressure, temperature, oscillate and pulsate functions. Toilet shall have automatic deodorization and night light to illuminate the bowl. Toilet shall have a heated seat with adjustable temperature settings. Toilet shall have a remote control with two programmable user presets, an energy save function, anti-microbial materials that are used in the seat and nozzles and a quick-release design for ease of cleaning. Toilet shall be Kohler Model K-3825-\_\_\_\_\_.

# GABRIELLE™

## Recommended Accessories

K-7637	Angle supply with stop – 3/8" NPT	<input type="checkbox"/> CP	<input type="checkbox"/> PB	<input type="checkbox"/> Other_____
--------	-----------------------------------	-----------------------------	-----------------------------	-------------------------------------

## Optional Accessories

K-9464-L	Left-hand trip lever – non-CP	<input type="checkbox"/> PB	<input type="checkbox"/> Other_____
----------	-------------------------------	-----------------------------	-------------------------------------

## Technical Information

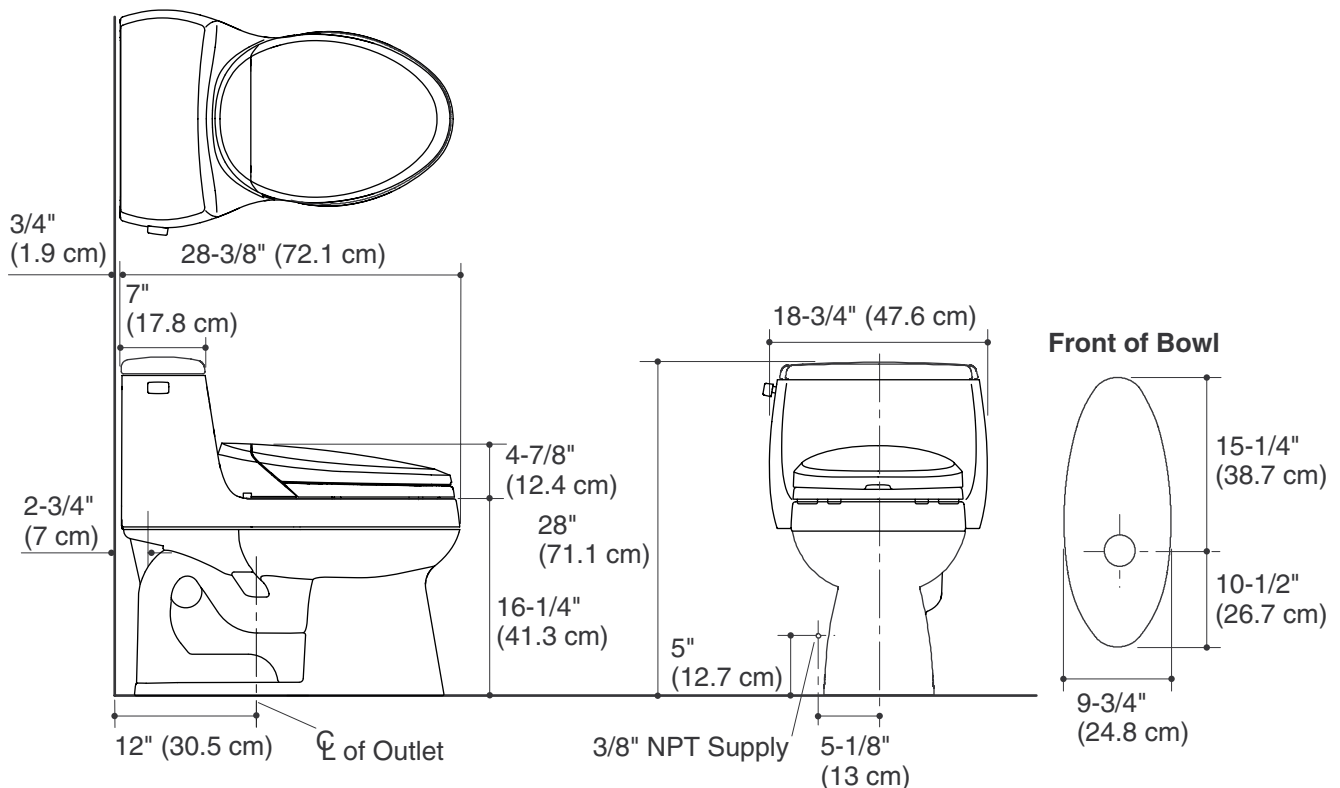
Fixture:	
Configuration	one-piece, elongated
Water per flush	1.28 gal (4.8 L)
Passageway	2-1/8" (5.4 cm)
Water area	11" (27.9 cm) x 8-1/2" (21.6 cm)
Water depth from rim	6" (15.2 cm)
Seat post hole centers	5-1/2" (14 cm)

## Included components:

Tank cover	85407
Trip lever	1025329
Toilet seat	K-4744
Tank accessory pack	52265
Bolt cap accessory pack	52048

## Installation Notes

Install this product according to the installation guide.



## Product Diagram