

CIMARRON® CLASS 6™

COMFORT HEIGHT™ COMBINATION ELONGATED TOILET K-3589

ADA

Features

- Vitreous china
- Combination toilet
- Elongated bowl
- 12" (30.5 cm) rough-in
- 1.6 gpf (6 lpf)
- 2-1/8" (5.4 cm) glazed trapway
- Less seat and supply
- Available with KOHLER Artist Editions designs
- Class 6™ flushing system
- 16-1/2" (41.9 cm) high bowl is ADA compliant when an open-front seat is installed
- 10-1/2" (26.7 cm) x 7-1/8" (18.1 cm) water area
- 28-3/4" (73 cm) x 17-5/8" (44.7 cm) x 30-3/4" (78.1 cm)



Codes/Standards Applicable

Specified model meets or exceeds the following:

- ADA
- ASME A112.19.2/CSA B45.1
- ICC/ANSI A117.1

Colors/Finishes

- 0: White
- Other: Refer to Price Book for additional colors/finishes

Accessories

- 0: White
- CP: Polished Chrome
- PB: Vibrant® Polished Brass
- Other: Refer to Price Book for additional colors/finishes

Specified Model

| Model | Description | Trip Lever | Colors/Finishes | |
|-----------|----------------------------|------------|----------------------------|-------------------------------------|
| K-3589 | Elongated front | left-hand | <input type="checkbox"/> 0 | <input type="checkbox"/> Other_____ |
| K-3589-RA | Elongated front | right-hand | <input type="checkbox"/> 0 | <input type="checkbox"/> Other_____ |
| K-3589-T | Elongated front, tank lock | left-hand | <input type="checkbox"/> 0 | <input type="checkbox"/> Other_____ |
| K-3589-TR | Elongated front, tank lock | right-hand | <input type="checkbox"/> 0 | <input type="checkbox"/> Other_____ |

Recommended Accessories

| | | | | |
|--------|---|----------------------------|--|-------------------------------------|
| K-4664 | Brevia™ seat with cover | <input type="checkbox"/> 0 | | <input type="checkbox"/> Other_____ |
| K-4660 | Lustra™ open front toilet seat – for ADA compliant installation | <input type="checkbox"/> 0 | | <input type="checkbox"/> Other_____ |

Product Specification

The elongated combination toilet shall be made of vitreous china. Toilet shall be 28-3/4" (73 cm) in length, 17-5/8" (44.7 cm) in width, and 30-3/4" (78.1 cm) in height with a 10-1/2" (26.7 cm) x 7-1/8" (18.1 cm) water area. Toilet shall be 12" (30.5 cm) rough-in and 2-1/8" (5.4 cm) glazed trapway. Toilet shall be 1.6 gpf (6 lpf) with Class 6™ flushing system. Toilet shall be Comfort Height™ with a 16-1/2" (41.9 cm) high bowl, which is ADA compliant when an open-front seat is installed. Toilet shall be available with KOHLER Artist Editions designs. Toilet shall be less seat and supply. Toilet shall be Kohler Model K-3589-_____.

CIMARRON® CLASS 6™

Recommended Accessories (Cont.)

| | | | | |
|--------|-----------------------------|-----------------------------|-----------------------------|-------------------------------------|
| K-7637 | 3/8" Angle supply with stop | <input type="checkbox"/> CP | <input type="checkbox"/> PB | <input type="checkbox"/> Other_____ |
|--------|-----------------------------|-----------------------------|-----------------------------|-------------------------------------|

Optional Accessories

| | | | |
|----------|-------------------------------|-----------------------------|-------------------------------------|
| K-9466-L | Left-hand trip lever (non-CP) | <input type="checkbox"/> PB | <input type="checkbox"/> Other_____ |
| K-9470-L | Left-hand trip lever | <input type="checkbox"/> PB | <input type="checkbox"/> Other_____ |

Technical Information

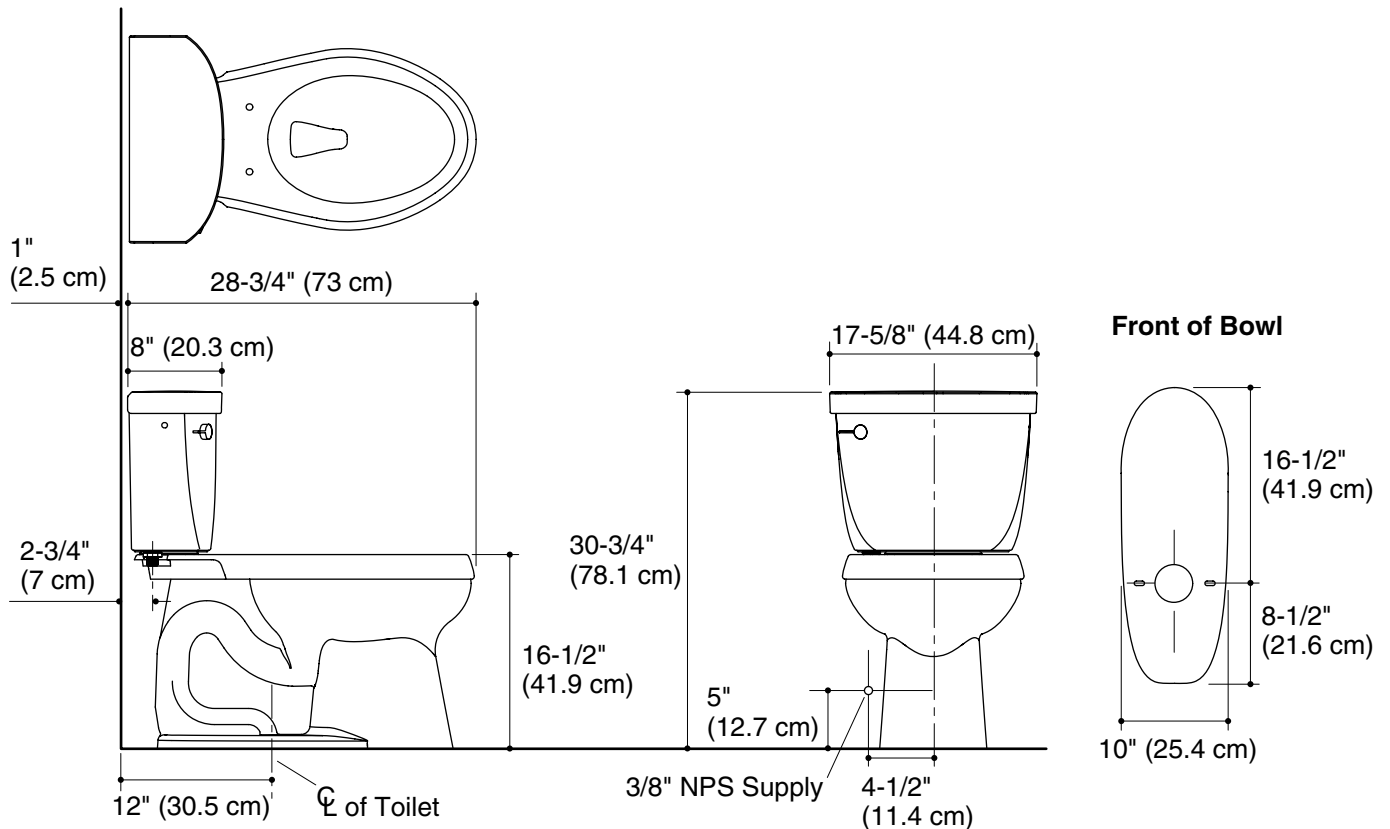
| | |
|------------------------|---|
| Fixture: | |
| Configuration | Two-piece, elongated |
| Water per flush | 1.6 gal (6 L) |
| Passageway | 2-1/8" (5.4 cm) |
| Water area | 10-1/2" (26.7 cm) x 7-1/8" (18.1 cm) |
| Water depth from rim | 6-1/8" (15.6 cm) |
| Seat post hole centers | 5-1/2" (14 cm) |

Included components:

| | |
|---|---------|
| Bowl | K-4309 |
| Tank cover | 1086929 |
| Trip lever, left-hand | 1059436 |
| Bolt cap accessory pack | 1013092 |
| Tank accessory pack | 1016548 |
| Tank, left-hand trip lever, 1.6 gpf (6 lpf) | K-4418 |

Installation Notes

Install this product according to the installation guide.



Product Diagram