

WADING POOL® LAVATORY K-2951

ADA

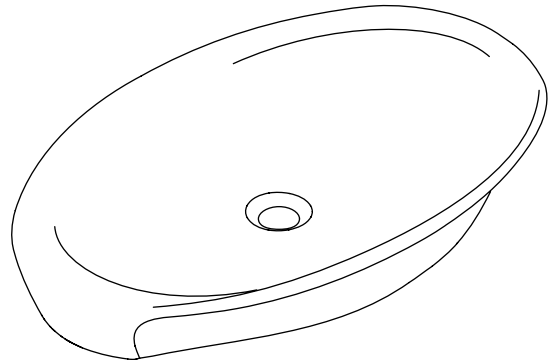
Features

- Fireclay
- Without overflow
- Countertop installation
- 27" (68.6 cm) x 16-7/8" (42.9 cm)

Codes/Standards Applicable

Specified model meets or exceeds the following:

- ADA
- ASME A112.19.2/CSA B45.1
- ICC/ANSI A117.1



Colors/Finishes

- 0: White
- Other: Refer to Price Book for additional colors/finishes

Accessories

- CP: Polished Chrome
- Other: Refer to Price Book for additional colors/finishes

Specified Model

Model	Description	Colors/Finishes	
K-2951	Wading Pool lavatory without overflow	<input type="checkbox"/> 0	<input type="checkbox"/> Other_____
Recommended Accessories			
K-7107	Decorative grid drain	<input type="checkbox"/> CP	<input type="checkbox"/> Other_____
K-7108	Decorative grid drain	<input type="checkbox"/> CP	<input type="checkbox"/> Other_____
K-7710	Metal stopper	<input type="checkbox"/> CP	<input type="checkbox"/> Other_____
K-9018	P-Trap	<input type="checkbox"/> CP	<input type="checkbox"/> Other_____

Product Specification

The fireclay lavatory shall be 27" (68.6 cm) in length and 16-7/8" (42.9 cm) in width. Lavatory shall be for countertop installation. Lavatory shall be without overflow. Lavatory shall be Kohler Model K-2951-_____.

STRELA™

Technical Information

Fixture*:	
Basin area	23-3/4" (60.3 cm) x 16-1/3" (41.5 cm)
Water depth	2-15/16" (7.5 cm)
Drain hole	1-3/4" (4.4 cm) D.
* Approximate measurements for comparison only.	
Included component	
Cut-out template	1115037-7

Installation Notes

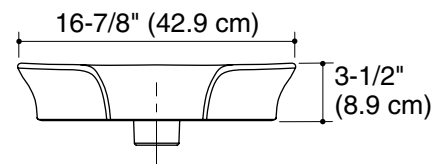
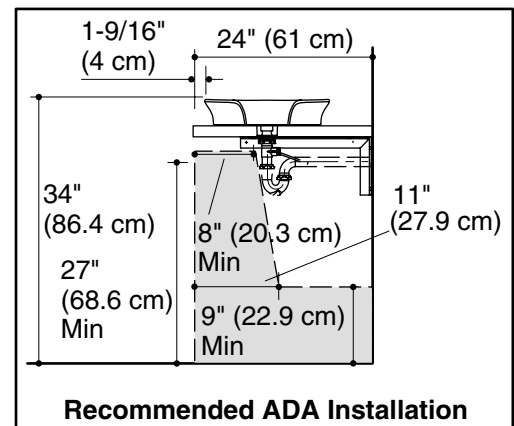
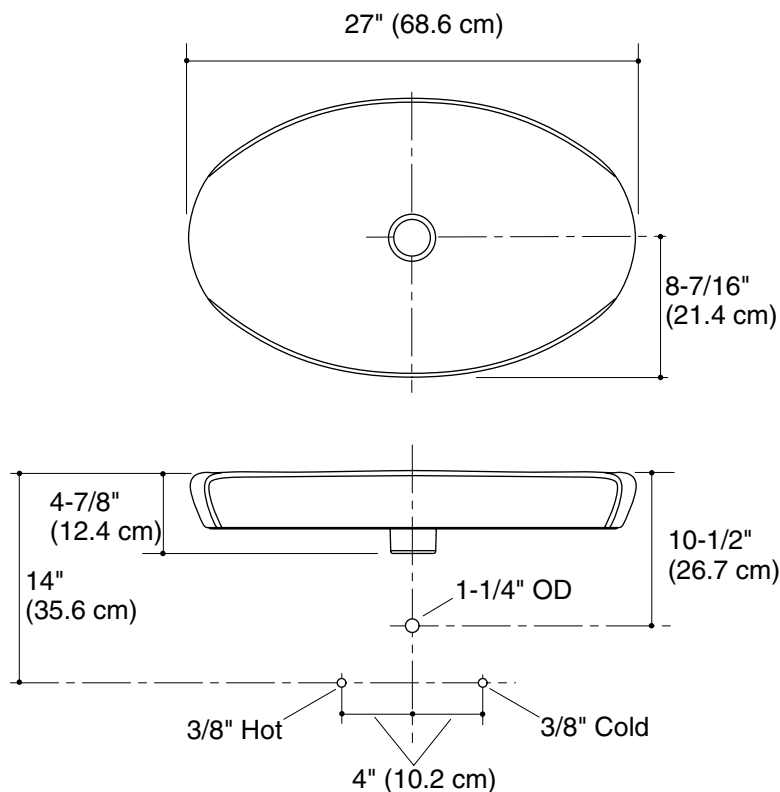
Install this product according to the installation guide.

IMPORTANT! Product rests on a countertop. Consider height of product when designing installation.

Choose a faucet that will provide adequate clearance and will direct the water stream to the center of the lavatory.

When installing a pop-up drain to this lavatory, it may be necessary to bend the drain linkage to allow proper reach to the faucet lift rod.

NOTICE: The countertop manufacturer or cutter **must** use the cut-out template provided with the product, or a current one provided by the Kohler Co. (Call 1-800-4-KOHLER.) Kohler Co. is not responsible for cut-out errors when the incorrect cut-out template is used.



Product Diagram