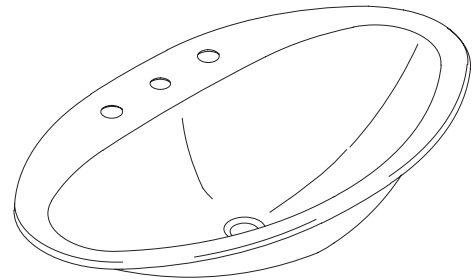


FEATURES

- 33" (83.8cm) x 19" (48.3cm)
- Cast iron
- Self-rimming
- 8" (20.3cm) centers (K-2886-8), 4" (10.2cm) centers (K-2886-4) or single-hole (K-2886-1) drilling
- With overflow
- ADA compliant



CODES/STANDARDS APPLICABLE

Specified model meets or exceeds the following:

- ADA
- ASME/ANSI A112.19.1M
- ICC/ANSI A117.1
- IAPMO/UPC
- Canadian Standards Association (CSA)
- ADA when installed with K-13885 offset drain
- State of Massachusetts

COLORS/FINISHES

- 0 White
- Other Refer to Fixtures Price Book for additional colors

Accessories:

- CP Polished Chrome
- Other Refer to Faucets Price Book for additional finishes

SPECIFIED MODEL:

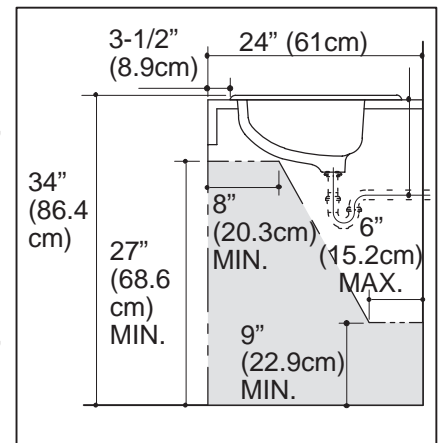
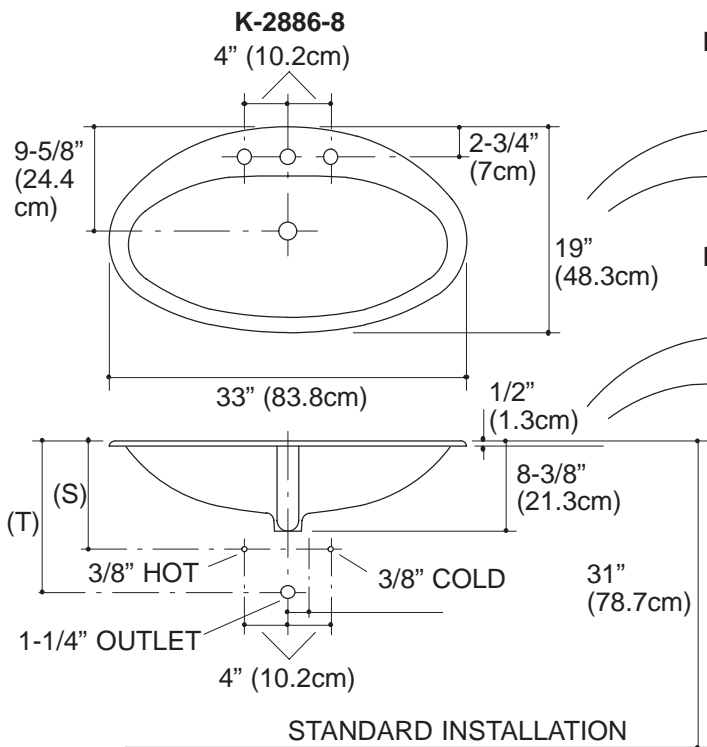
Model	Description	Colors/Finishes	
		<input type="checkbox"/> 0 White	<input type="checkbox"/> Other_____
K-2886-8	8" (20.3cm) centers lavatory	<input type="checkbox"/> 0 White	<input type="checkbox"/> Other_____
K-2886-4	4" (10.2cm) centers lavatory	<input type="checkbox"/> 0 White	<input type="checkbox"/> Other_____
K-2886-1	Single-hole lavatory	<input type="checkbox"/> 0 White	<input type="checkbox"/> Other_____
Recommended Accessories			
K-8998	Trap	<input type="checkbox"/> CP	<input type="checkbox"/> Other_____

PRODUCT SPECIFICATION:

The self-rimming countertop lavatory shall be 33" (83.8cm) in length, and 19" (48.3cm) in width. Lavatory shall be made of cast iron. Lavatory shall have 8" (20.3cm) centers (K-2886-8), 4" (10.2cm) centers (K-2886-4) or single-hole (K-2886-1) drilling. Lavatory shall have overflow. Lavatory shall be ADA compliant. Lavatory shall be Kohler Model K-2886-_____-_____-_____.

PRODUCT INFORMATION

ADA compliant.			
Fixture*:		basin area	water depth
Lavatory		30" (76.2cm) x 13" (33cm)	4-7/8" (12.4cm)
Drain hole	1-11/16" D. (4.3cm)		
* Approximate measurements for comparison only.			
Holes	K-2886-8	K-2886-1	K-2886-4
Spout	1-1/8" D. (2.9cm)	1-3/8" D. (3.5cm)	1-1/8" D. (2.9cm)
Faucet	1-3/8" D. (3.5cm)		1-3/16" D. (3cm)
Included Components:			
Overflow ferrule			84896
Cutout template			100207-7



RECOMMENDED ADA INSTALLATION

(T) Pop-up drain 14" (35.6cm).

(S) 10" (25.4cm) (Based on 12" (30.5cm) riser which may require cutting).

.9<116

PRODUCT DIAGRAM