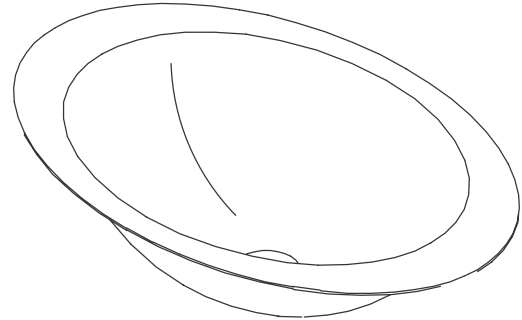


FEATURES

- 23-1/8" (58.7cm) x 15-1/4" (38.7cm)
- Stainless Steel
- Undercounter
- Satin finish with hushcoat undercoat (-S)
- Mirror finish with hushcoat undercoat (-M)
- Mottled finish with hushcoat undercoat (-D)
- Crosschecked finish with hushcoat undercoat (-E)
- Mirror French Gold finish without hushcoat undercoat (-MF)
- Satin bronze finish without hushcoat undercoat (-SBV)
- 20 gauge stainless steel
- Installation hardware included with all lavatories for their specific installation
- No overflow, PVC tube and drain gasket included to cover overflow hole in faucet drain assembly
- With sealant



COLORS/FINISHES

- MF Mirror French Gold
- SBV Satin Bronze
- NA Not Applicable

Accessories:

- CP Polished Chrome
- Other Refer to Price Book for additional finishes

CODES/STANDARDS APPLICABLE

Specified model meets or exceeds the following:

- ASME/ANSI A112.19.3M
- Canadian Standards Association (CSA)

SPECIFIED MODEL:

Model	Description	Colors/Finishes
K-2602	Mirror French Gold finish without hushcoat undercoat lavatory	<input type="checkbox"/> MF
K-2602-S	Satin finish with hushcoat undercoat lavatory	<input type="checkbox"/> NA
K-2602-SBV	Satin bronze finish without hushcoat undercoat lavatory	<input type="checkbox"/> SBV
K-2602-M	Mirror finish with hushcoat undercoat lavatory	<input type="checkbox"/> NA
K-2602-D	Mottled finish basin, mirror finish rim with hushcoat undercoat lavatory	<input type="checkbox"/> NA
K-2602-E	Crosschecked finish basin, mirror finish rim with hushcoat undercoat lavatory	<input type="checkbox"/> NA

Recommended Accessories

K-8998	Trap	<input type="checkbox"/> CP	<input type="checkbox"/> Other_____
K-7702	Drain	<input type="checkbox"/> CP	<input type="checkbox"/> Other_____
K-7725	Drain	<input type="checkbox"/> CP	<input type="checkbox"/> Other_____
K-7726	Grid Drain	<input type="checkbox"/> CP	<input type="checkbox"/> Other_____

PRODUCT SPECIFICATION:

The oval lavatory shall be 23-1/8" (58.7cm) in length, and 15-1/4" (38.7cm) in width. Lavatory shall be made of 20 gauge stainless steel. Lavatory shall be either self-rimming or undercounter installation. Lavatory shall have satin finish with hushcoat undercoat (-S), mirror finish with hushcoat undercoat (-M) mottled finish with hushcoat undercoat (-D), crosschecked finish with hushcoat undercoat (-E), Mirror French Gold finish without hushcoat undercoat (-MF) or satin bronze finish without hushcoat undercoat (-SBV). Lavatory shall include hardware for both types of installation. Lavatory shall have PVC tube and drain gasket to cover overflow hole in faucet drain assembly and include sealant. Undercounter shall be Kohler Model K-2602-_____.

PRODUCT INFORMATION

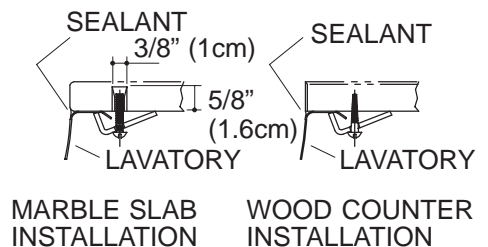
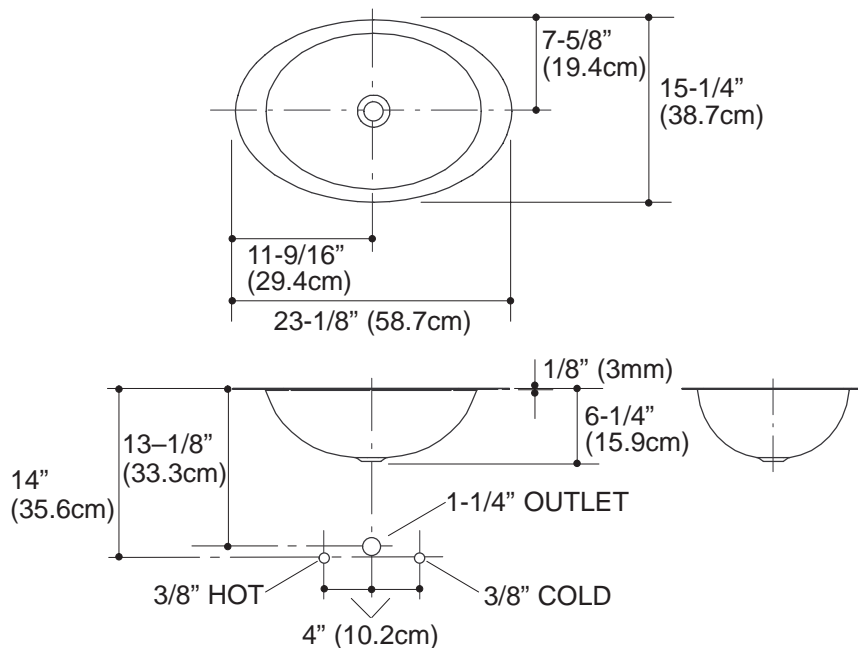
Fixture*:		basin area	water depth
Lavatory		18" (45.7cm) x 13" (33cm)	5-7/8" (14.9cm)
Outlet	1-5/8" D. (4.1cm)		
Included Components:			
Adhesive sealant		63034	
Drain gasket		33507	
Tube		62603	
Basin clamp assembly		68922	
Cutout template		1000258-7	

INSTALLATION NOTES

Supplied basin clamp assembly requires 3/4" (1.9cm) minimum countertop thickness. Installer must supply anchors for thinner countertops. (K-2602 only)

NOTICE: Countertop manufacturer or cutter **must** use the cut-out template provided with the product, or a current one provided by Kohler Co. (call 1-800-43-FOCUS). Kohler Co. is not responsible for cut-out errors when the incorrect cut-out template is used.

Waterproof unprotected overhang area of the underside of wood counter.



PRODUCT DIAGRAM