

### WADING POOL® LAVATORY K-2390

ADA

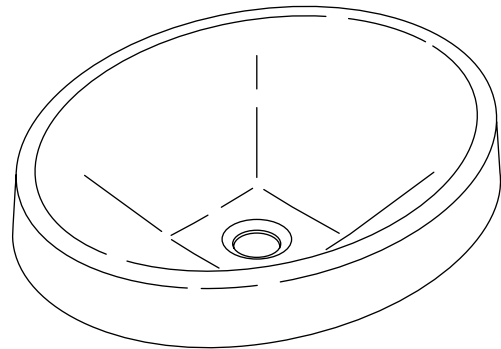
#### Features

- KOHLER cast iron
- Self-rimming
- Without overflow
- Less faucet hole
- Countertop installation
- 20-1/4" (51.4 cm) x 16-1/2" (41.9 cm)

#### Codes/Standards Applicable

Specified model meets or exceeds the following:

- ICC/ANSI A117.1
- IAPMO/cUPC
- ASME A112.19.1
- CSA B45
- ADA



#### Colors/Finishes

- 0: White
- Other: Refer to Price Book for additional colors/finishes

#### Accessories:

- CP: Polished Chrome
- Other: Refer to Price Book for additional colors/finishes

#### Specified Model

Model	Description	Colors/Finishes	
K-2390	Wading Pool lavatory	<input type="checkbox"/> 0	<input type="checkbox"/> Other_____
<b>Recommended Accessories</b>			
K-9018	Adjustable P-trap with extension	<input type="checkbox"/> CP	<input type="checkbox"/> Other_____
K-7126	Pop-up lavatory drain	<input type="checkbox"/> CP	<input type="checkbox"/> Other_____

#### Product Specification

The self-rimming cast iron lavatory shall be 20-1/4" (51.4 cm) in length and 16-1/2" (41.9 cm) in width. Lavatory shall be without overflow and less faucet hole. Lavatory shall be countertop installation. Lavatory shall be Kohler Model K-2390-\_\_\_\_\_.

# INSCRIBE™

## Technical Information

Fixture*:	
Basin area	18-3/4" (47.6 cm) x 14-3/4" (37.5 cm)
Water depth	4-9/16" (11.6 cm)
Drain hole	1-3/4" (4.4 cm) D.
* Approximate measurements for comparison only.	
Included component:	
Cut-out template	1091076-7

## Installation Notes

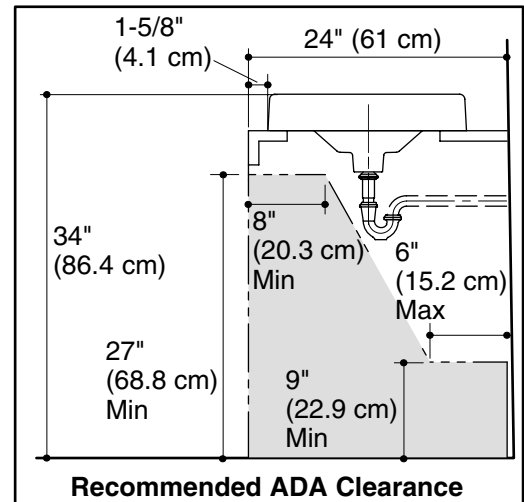
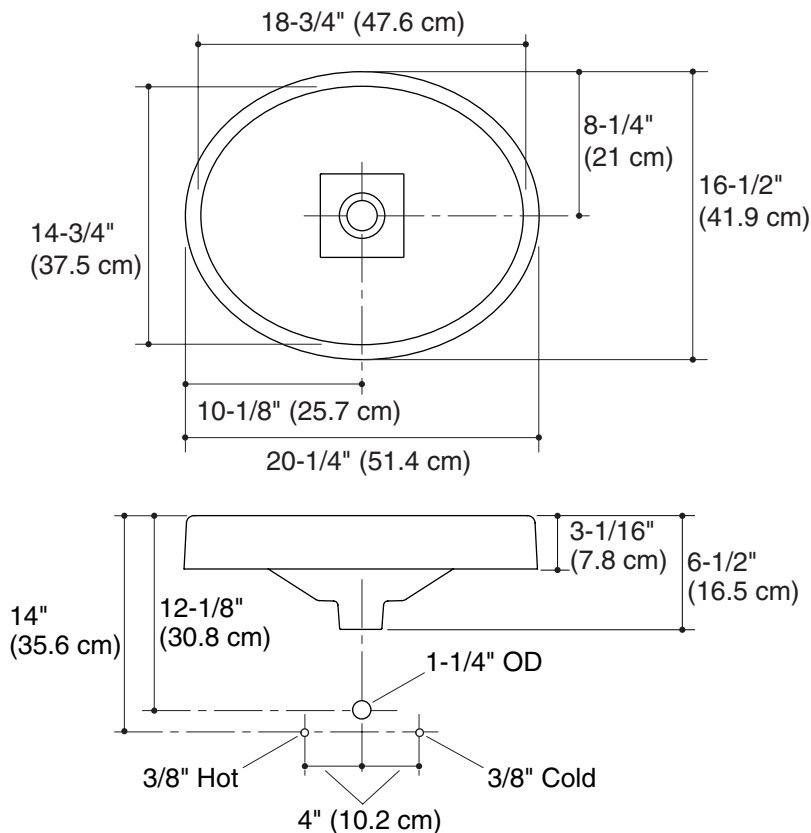
Install this product according to the installation guide.

Product does not have overflow.

**NOTICE:** The countertop manufacturer or cutter **must** use the cut-out template provided with the product, or a current cut-out template provided by the Kohler Co. (call 1-800-4-KOHLER). Kohler Co. is not responsible for errors when the incorrect cut-out template is used.

The spout must be a minimum of 5" (12.7 cm) long for adequate clearance into the lavatory when installed with the centerline, as shown.

The spout must be tall enough to clear the 3-1/16" (7.8 cm) rim height and provide a 1" (2.5 cm) air gap per ASME A112.1.2.



## Product Diagram