

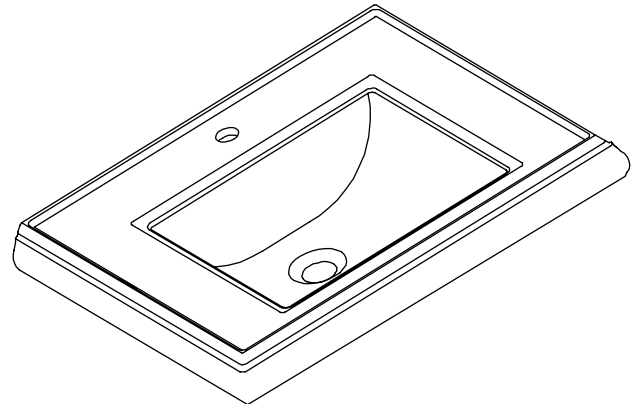
#### Features

- Vitreous china
- Self-rimming
- With overflow
- 8" (20.3 cm) centers (-8), 4" (10.2 cm) centers (-4), or single-hole (-1)
- Above-the-counter
- 22-3/4" (57.8 cm) x 18" (45.7 cm)

#### Codes/Standards Applicable

Specified model meets or exceeds the following:

- IAPMO/UPC
- CSA B45
- ASME A112.19.2



#### Colors/Finishes

- 0: White
- Other: Refer to Price Book for additional colors/finishes

#### Accessories:

- CP: Polished Chrome
- Other: Refer to Price Book for additional colors/finishes

#### Specified Model

Model	Description	Colors/Finishes	
K-2337-8	8" (20.3 cm) centers lavatory	<input type="checkbox"/> 0	<input type="checkbox"/> Other_____
K-2337-4	4" (10.2 cm) centers lavatory	<input type="checkbox"/> 0	<input type="checkbox"/> Other_____
K-2337-1	Single hole lavatory	<input type="checkbox"/> 0	<input type="checkbox"/> Other_____
Recommended Accessories			
K-8998	P-Trap	<input type="checkbox"/> CP	<input type="checkbox"/> Other_____

#### Product Specification

The self-rimming lavatory with overflow shall be 22-3/4" (57.8 cm) in length, and 18" (45.7 cm) in width. Lavatory shall be made of vitreous china. Lavatory shall be above-the-counter mount. Lavatory shall have 8" (20.3 cm) centers, 4" (10.2 cm) centers, or single-hole drilling. Lavatory shall be Kohler Model K-2337-\_\_\_\_\_-\_\_\_\_\_.

# MEMOIRS® STATELY

## Technical Information

Fixture:*	basin area	water depth
Lavatory	17" (43.2 cm) x 10" (25.4 cm)	5" (12.7 cm)
Drain hole	1-3/4" (4.4 cm) D.	
* Approximate measurements for comparison only.		

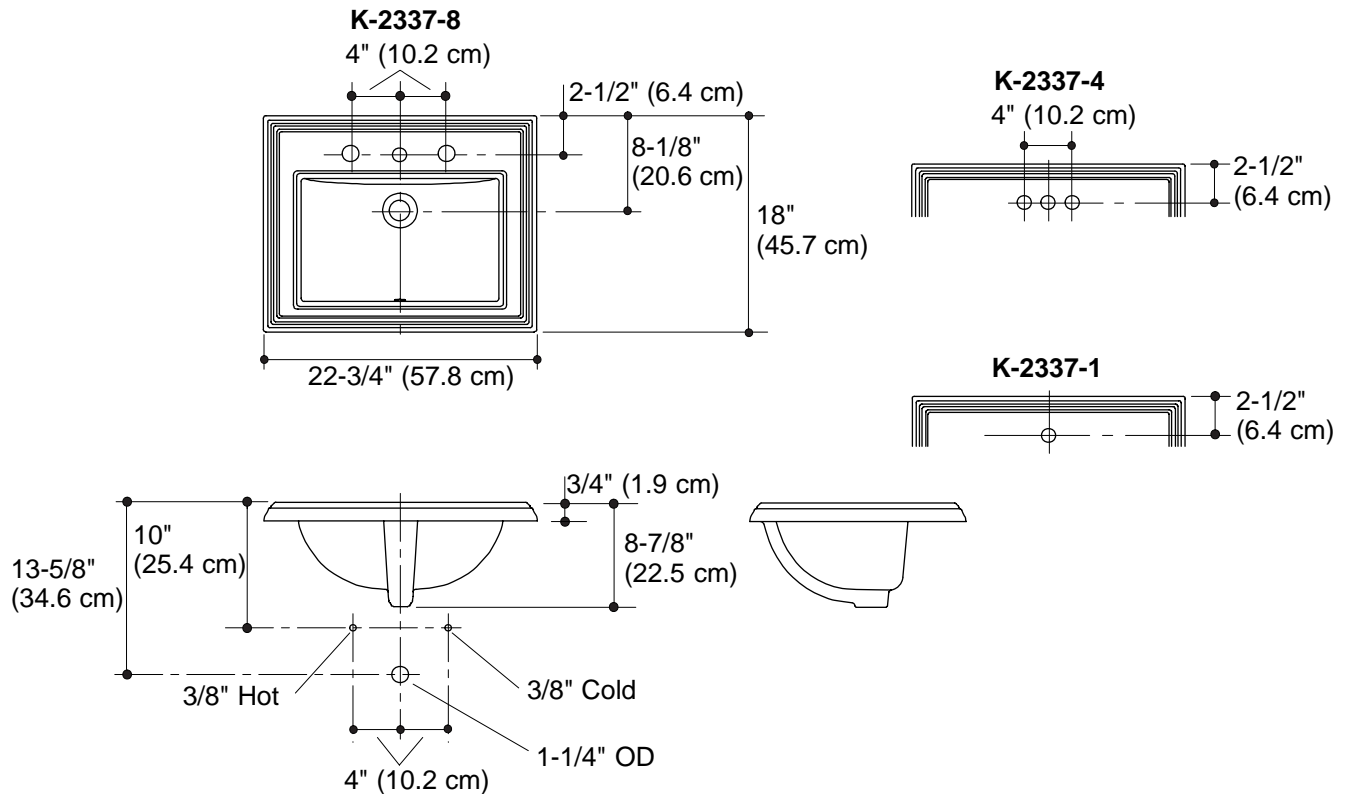
Holes	K-2337-8	K-2337-4	K-2337-1
Spout	1-3/8" (3.5 cm) D.	1-1/4" (3.2 cm) D.	1-3/8" (3.5 cm) D.
Faucet	1-3/8" (3.5 cm) D.	1-1/4" (3.2 cm) D.	

Included Component:	
Cut-out template	1003676

## Installation Notes

Install this product according to the installation guide.

**NOTICE:** Countertop manufacturer or cutter **must** use the cut-out template provided with the product, or a current one provided by Kohler (call 1-800-4-KOHLER). Kohler is not responsible for cut-out errors when incorrect cut-out template is used.



## Product Diagram