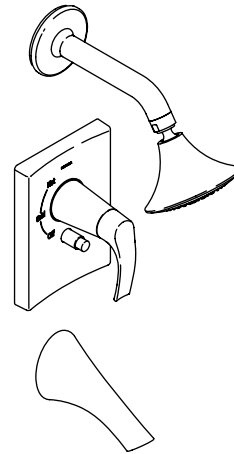


Features

- Brass construction
- Lever handle
- Front seal plate assembly
- Includes showerhead with arm and flange (K-T18488 and K-T18489 only)
- Includes non-diverter spout with NPT connection (K-T18488 only)
- Includes push-button diverter (K-T18488 only)
- Intended for use with Rite-Temp or HiFlow Rite-Temp valves

BATH AND SHOWER FAUCET TRIM
K-18485
ALSO K-T18488, K-T18489, K-T18490



Codes/Standards Applicable

Specified model meets or exceeds the following:

- ASSE 1016
- ASME 112.18.1/CSA B125
- IAPMO/cUPC

Colors/Finishes

- CP: Polished Chrome
- Other: Refer to Price Book for additional colors/finishes

Specified Model

Model	Description	Color/Finish	
K-18485	Bath spout	<input type="checkbox"/> CP	<input type="checkbox"/> Other _____
K-T18488-4	Bath and shower trim	<input type="checkbox"/> CP	<input type="checkbox"/> Other _____
K-T18489-4	Shower trim	<input type="checkbox"/> CP	<input type="checkbox"/> Other _____
K-T18490-4	Valve trim	<input type="checkbox"/> CP	<input type="checkbox"/> Other _____

Required Accessories		
K-304-K	Rite-Temp valve without stops, NPT connections	<input type="checkbox"/> NA
K-304-KS	Rite-Temp valve with stops, NPT connections	<input type="checkbox"/> NA
K-304-KP	Rite-Temp valve with PVC connections	<input type="checkbox"/> NA
K-305-K	Rite-Temp valve without stops	<input type="checkbox"/> NA
K-305-KS	Rite-Temp valve with stops	<input type="checkbox"/> NA
K-306-KS	HiFlow Rite-Temp valve with stops, NPT connections	<input type="checkbox"/> NA

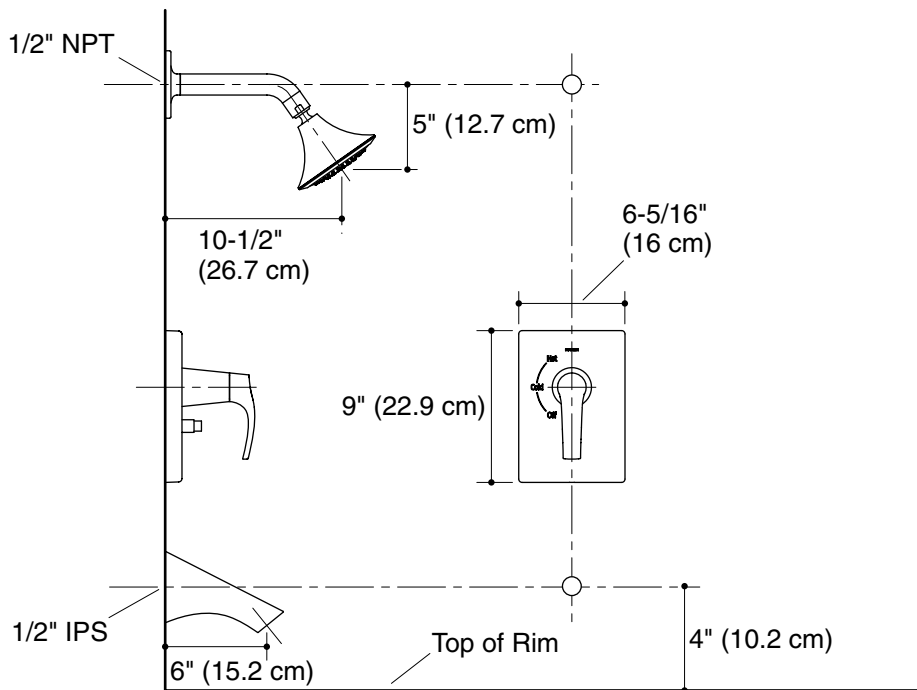
Product Specification

Bath spout, bath and shower, shower, and valve faucet trim shall be of brass construction. Product shall feature a front seal plate assembly and lever handle. Product shall include showerhead with arm and flange (K-T18488 and K-T18489 only). Product shall include a non-diverter spout with NPT connection and a push-button diverter (K-T18488 only). Product is intended for use with Rite-Temp or HiFlow Rite-Temp valves. Product shall be Kohler Model K-T_____-_____-_____.

SYMBOL™

Installation Notes

Install this product according to the installation guide.



Product Diagram