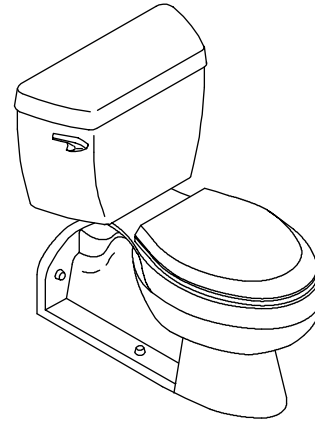


PRESSURE LITE™ TOILET K-3554

Features

- Vitreous china
- Elongated bowl
- Equipped with Sloan Flushmate® - Sloan Valve Company
- 1.4 gpf (5.3 lpf)
- Includes polished chrome trip lever
- Combination toilet
- Less seat and supply
- With tank cover locks (-T)
- With right-hand trip lever (-RA)
- With bedpan lugs (-L)
- Rear outlet
- 4" (10.2 cm) rough-in
- 12" (30.5 cm) x 10" (25.4 cm) water area



Codes/Standards Applicable

Specified model meets or exceeds the following:

- ASME A112.19.2
- IAPMO/UPC
- CSA B45
- Energy Policy Act of 1992 (EPACT)

Colors/Finishes

- 0: White
- Other: Refer to Price Book for additional colors/finishes

Accessories:

- 0: White
- CP: Polished Chrome
- PB: Polished Brass
- Other: Refer to Price Book for additional colors/finishes

Specified Model

Model	Description	Colors/Finishes	
K-3554	Elongated bowl toilet, left-hand trip lever	<input type="checkbox"/> 0	<input type="checkbox"/> Other_____
K-3554-RA	Elongated bowl toilet, right-hand trip lever	<input type="checkbox"/> 0	<input type="checkbox"/> Other_____
K-3554-T	Toilet with tank cover locks, left-hand trip lever	<input type="checkbox"/> 0	<input type="checkbox"/> Other_____
K-4327 and K-4645-TR	Toilet with tank cover locks, right-hand trip lever	<input type="checkbox"/> 0	<input type="checkbox"/> Other_____
K-4327-L and K-4645	Toilet with bed pan lugs, left-hand trip lever	<input type="checkbox"/> 0	<input type="checkbox"/> Other_____
K-4327-L and K-4645-RA	Toilet with bed pan lugs, right-hand trip lever	<input type="checkbox"/> 0	<input type="checkbox"/> Other_____

Recommended Accessories

K-4652	Lustra™ seat with cover			<input type="checkbox"/> 0	<input type="checkbox"/> Other_____
K-4652-A	Lustra™ seat with cover, anti-microbial agent			<input type="checkbox"/> 0	
K-7637	Angle supply with stop	<input type="checkbox"/> CP	<input type="checkbox"/> PB		<input type="checkbox"/> Other_____

Product Specification:

The elongated combination toilet less seat and supply shall be made of vitreous china. The toilet shall be 4" (10.2 cm) rough-in and equipped with a Sloan Flushmate - Sloan Valve Company. Toilet shall have a 12" (30.5 cm) x 10" (25.4 cm) water area, use 1.4 gpf (5.3 lpf), and have a rear outlet. Toilet shall include a polished chrome trip lever. Toilet shall have a right-hand trip lever (-RA), or left-hand trip lever, tank cover locks (-T), or bed pan lugs (-L) as specified by model options. Toilet shall be Kohler Model K-_____-_____-_____.

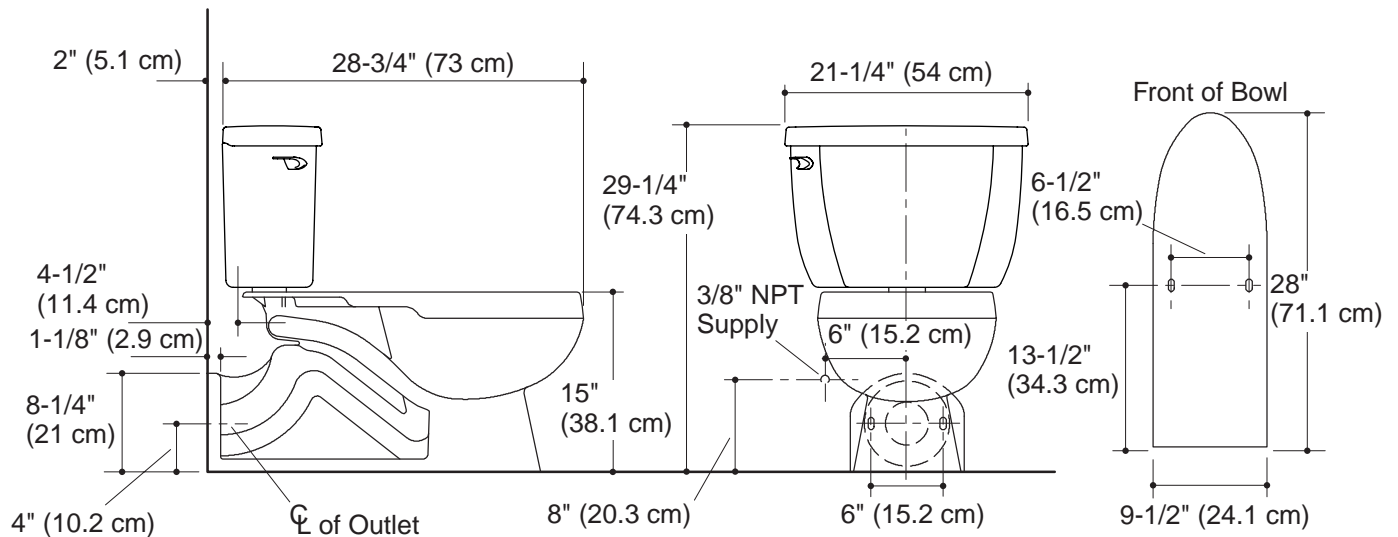
BARRINGTON™

Optional Accessories

K-9481-L	Trip-lever, left-hand (non-CP)	<input type="checkbox"/> PB	<input type="checkbox"/> Other_____
K-9481-R	Trip-lever, right-hand (non-CP)	<input type="checkbox"/> PB	

Installation Notes

Install this product according to the installation guide.



Product Diagram