

PRESSURE-LITE® TOILET K-3493

ADA CSA B651 OBC

Features

- Vitreous china
- Elongated bowl
- Equipped with Sloan FLUSHMATE® – Sloan® Valve Company
- Polished chrome trip lever
- Less seat and supply
- 12" (305 mm) rough-in
- 1.6 gpf (6.0 lpf)
- 2-1/4" (57 mm) glazed trapway
- 12" (305 mm) x 10" (254 mm) water area
- 30-1/8" (765 mm) x 21-1/4" (540 mm) x 31-1/4" (794 mm)



Codes/Standards Applicable

Specified model meets or exceeds the following:

- ADA
- ICC/ANSI A117.1
- CSA B651
- OBC
- ASME A112.19.2/CSA B45.1

Colors/Finishes

- 0: White
- Other: Refer to Price Book for additional colors/finishes

Accessories

- 0: White
- CP: Polished Chrome
- PB: Vibrant® Polished Brass
- Other: Refer to Price Book for additional colors/finishes

Specified Model

Model	Description	Trip Lever	Colors/Finishes	
K-3493	Pressure-Lite toilet	left-hand	<input type="checkbox"/> 0	<input type="checkbox"/> Other_____
K-3493-RA	Pressure-Lite toilet	right-hand	<input type="checkbox"/> 0	<input type="checkbox"/> Other_____
K-3493-T	Pressure-Lite toilet with tank cover locks	left-hand	<input type="checkbox"/> 0	<input type="checkbox"/> Other_____
K-3493-TR	Pressure-Lite toilet with tank cover locks	right-hand	<input type="checkbox"/> 0	<input type="checkbox"/> Other_____

Recommended Accessories

K-4650	Lustra™ elongated open-front toilet seat – for Accessibility compliance	<input type="checkbox"/> 0		<input type="checkbox"/> Other_____
K-4664	Brevia™ seat with cover	<input type="checkbox"/> 0		<input type="checkbox"/> Other_____
K-7637	Angle supply with stop	<input type="checkbox"/> CP	<input type="checkbox"/> PB	<input type="checkbox"/> Other_____

Product Specification

The elongated bowl toilet shall be made of vitreous china. Toilet shall be 30-1/8" (765 mm) in length, 21-1/4" (540 mm) in width, and 31-1/4" (794 mm) in height with a 12" (305 mm) x 10" (254 mm) water area. The toilet shall be 12" (305 mm) rough-in. The toilet shall be equipped with Sloan Flushmate – Sloan Valve Company. Toilet shall be 1.6 gpf (6 lpf). Toilet shall include polished chrome trip lever. Toilet shall be less seat and supply. Toilet shall be Kohler Model K-3493-_____-_____.

HIGHLINE®

Technical Information

Fixture:	
Configuration	two-piece, elongated
Water per flush	1.6 gallons (6 L)
Passageway	2-1/4" (57 mm)
Water area	12" (305 mm) x 10" (254 mm)
Water depth from rim	5-3/4" (146 mm)
Seat post hole centers	5-1/2" (140 mm)
Minimum static pressure required	20 psi (137.9 kPa)
Maximum static pressure	80 psi (551.6 kPa)

Included Components*:	
Bowl	K-4304
Tank	K-4645
Tank cover	1036375
Trip lever	K-9481
Tank accessory pack	73062
Bolt cap accessory pack	52048
*Equipped with Sloan Flushmate™ – Sloan Valve Company	

Installation Notes

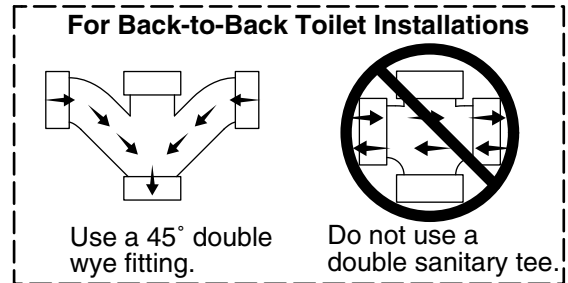
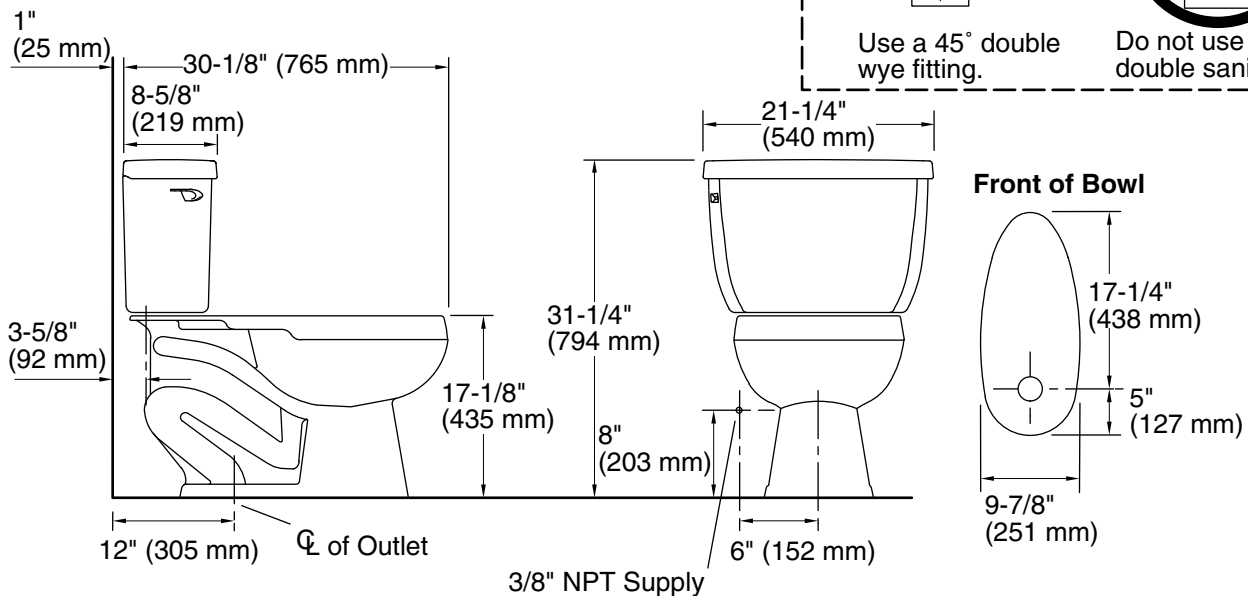
Install this product according to the installation guide.

For back-to-back toilet installations: Use only a 45° double wye fitting.

Will comply with the American Disabilities Act (**ADA**) when installed per the requirements of the Accessibility Guidelines, Section 604 Water Closets, of the Act. The Model Plumbing Codes require the installation of elongated open-front toilet seats in public bathrooms.

Will comply with **CSA B651** when installed per Clause 4.3.6 of the standard.

Will comply with **OBC** when installed per Clause 3.8.3.8 and 3.8.3.9.



Product Diagram