

SELF-RIMMING LAVATORY K-2992

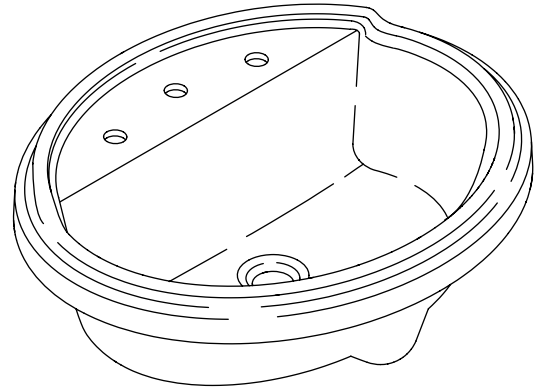
Features

- Vitreous china
- Self-rimming
- With overflow
- 8" (20.3 cm) centers (-8), 4" (10.2 cm) centers (-4), or single-hole (-1)
- 22-13/16" (57.9 cm) x 19-1/4" (48.9 cm) x 8-3/4" (22.2 cm)

Codes/Standards Applicable

Specified model meets or exceeds the following:

- ASME A112.19.2/CSA B45.1



Colors/Finishes

- 0: White
- Other: Refer to Price Book for additional colors/finishes

Accessories

- CP: Polished Chrome

Specified Model

Model	Description	Colors/Finishes	
K-2992-1	Self-rimming lavatory – single-hole	<input type="checkbox"/> 0	<input type="checkbox"/> Other _____
K-2992-4	Self-rimming lavatory – 4" (10.2 cm)	<input type="checkbox"/> 0	<input type="checkbox"/> Other _____
K-2992-8	Self-rimming lavatory – 8" (20.3 cm) (shown)	<input type="checkbox"/> 0	<input type="checkbox"/> Other _____
Recommended Accessory			
K-8998	Adjustable P-Trap	<input type="checkbox"/> CP	

Product Specification

The self-rimming lavatory with overflow shall be made of vitreous china. Lavatory shall be 22-13/16" (57.9 cm) in length, 19-1/4" (48.9 cm) in width, and 8-3/4" (22.2 cm) in depth. Lavatory shall have 8" (20.3 cm) centers (K-2992-8), 4" (10.2 cm) centers (K-2992-4), or single-hole (K-2992-1). Lavatory shall be Kohler Model K-2992-_____-_____.

TRESHAM™

Technical Information

Fixture*:	
Basin area	20-1/16" (51 cm) x 11-15/16" (30.3 cm)
Water depth	6-1/16" (15.4 cm)
Drain hole	1-3/4" (4.4 cm) D.
* Approximate measurements for comparison only.	

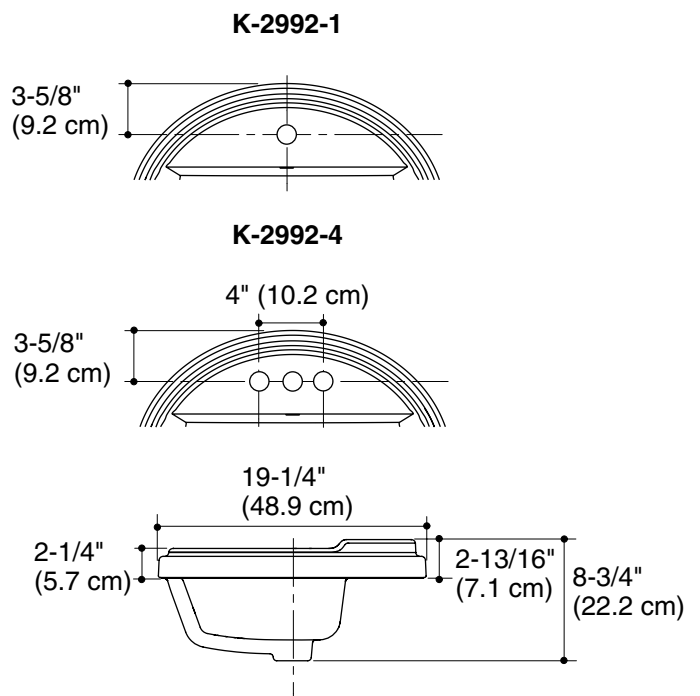
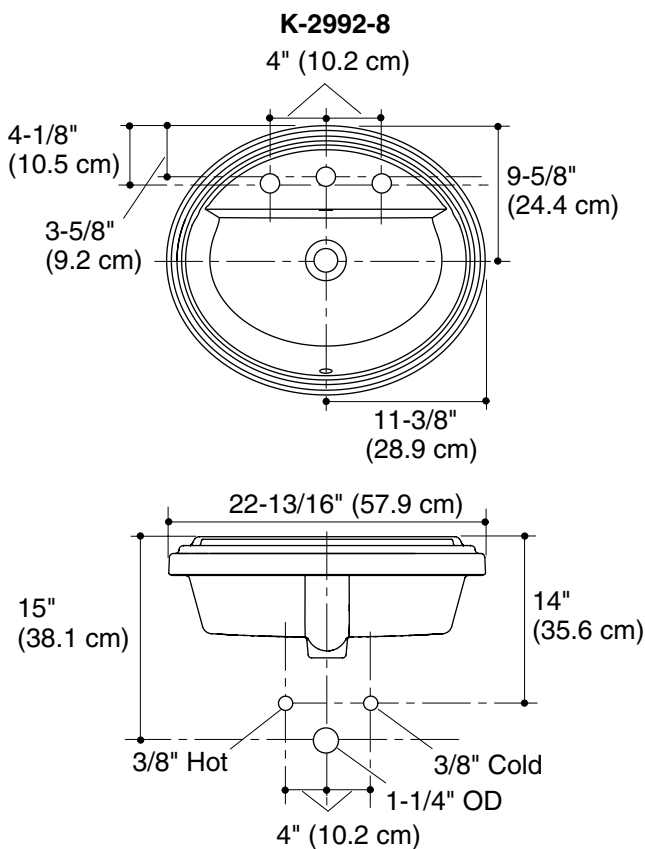
Holes	K-2992-8	K-2992-4	K-2992-1
Spout	1-3/8" (3.5 cm) D.	1-1/4" (3.2 cm) D.	1-3/8" (3.5 cm) D.
Faucet	1-3/8" (3.5 cm) D.	1-1/4" (3.2 cm) D.	

Included components:	
Cut-out template	1162720-7

Installation Notes

Install this product according to the installation guide.

NOTICE: Countertop manufacturer or cutter **must** use the cut-out template provided with the product, or a current one provided by Kohler Co. (call 1-800-4-KOHLER). Kohler Co. is not responsible for cutout errors when the incorrect cut-out template is used.



Product Diagram