

# KOHLER® Roughing-In

## K-2257 CAXTON® TILE-IN/METAL FRAME LAVATORY

### Product Information

Applicable product:	
Tile-in or metal frame lavatory	K-2257
Fixture*:	
Basin area	17" (43.2 cm) x 14" (35.6 cm)
Water depth	4" (10.2 cm)
Drain hole	1-3/4" (4.4 cm) D.
* Approximate measurements for comparison only.	
Included components:	
Cut-out template (Tile-in only)	114752-7
Required accessories:	
Metal frame	K-6686
Recommended accessories:	
P-Trap	K-8998

### Installation Notes

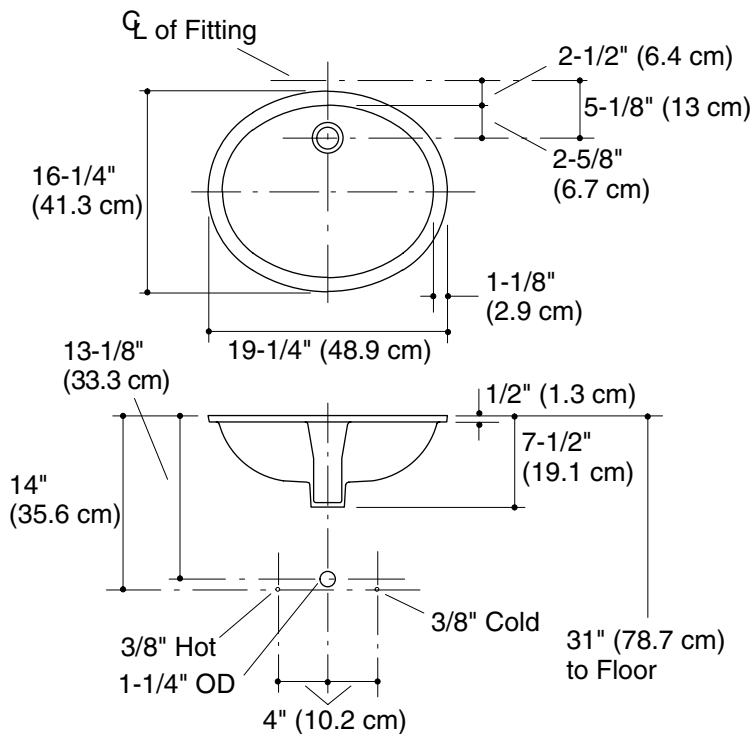
Install this product according to the installation guide.

Will comply with **ADA** when installed per section 606 Lavatories of the Act.

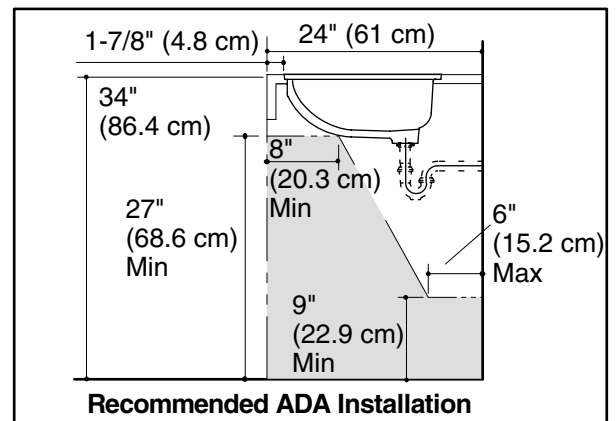
Will comply with **CSA B651** when installed per Clause 4.3.3 of the standard.

Will comply with **OBC** when installed per Clause 3.8.3.11.

Fixture conforms to ASME Standard A112.19.2/CSA B45.1. All dimensions are nominal.



Standard Installation



Recommended ADA Installation