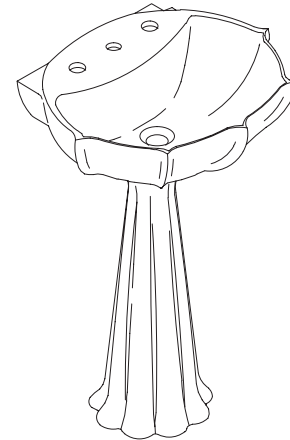


### PEDESTAL LAVATORY

# K-2099

#### FEATURES

- 21-3/4" (55.2cm) x 18-1/4" (46.4cm) x 31-7/8" (81cm)
- Vitreous china
- Pedestal lavatory
- 4" (10.2cm) centers (K-2099-4), 8" (20.3cm) centers (K-2099-8) or single-hole (K-2099-1) drilling



#### CODES/STANDARDS APPLICABLE

Specified model meets or exceeds the following:

- ASME/ANSI A112.19.2M
- IAPMO/UPC
- Canadian Standards Association (CSA)
- State of Massachusetts

#### COLORS/FINISHES

- 0 White
- Other Refer to Fixtures Price Book for additional colors

#### Accessories:

- CP Polished Chrome
- Other Refer to Faucets Price Book for additional finishes

#### SPECIFIED MODEL:

Model	Description	Colors/Finishes	
K-2099-4	4" (10.2cm) centers lavatory	<input type="checkbox"/> 0 White	<input type="checkbox"/> Other _____
K-2099-8	8" (20.3) centers lavatory	<input type="checkbox"/> 0 White	<input type="checkbox"/> Other _____
K-2099-1	Single-hole lavatory	<input type="checkbox"/> 0 White	<input type="checkbox"/> Other _____

Recommended Accessories			
K-7605-P	Lavatory supplies 3/8" (1cm) (pair)	<input type="checkbox"/> CP	<input type="checkbox"/> Other _____
K-8998	Trap	<input type="checkbox"/> CP	<input type="checkbox"/> Other _____

#### PRODUCT SPECIFICATION:

The pedestal lavatory shall be 21-3/4" (55.2cm) in length, 18-1/4" (46.4cm) in width, and 31-7/8" (81cm) in height. Pedestal lavatory shall be made of vitreous china. Pedestal lavatory shall have 4" (10.2cm) centers (K-2099-4), 8" (20.3cm) centers (K-2099-8), or single-hole (K-2099-1) drilling. Pedestal lavatory shall be Kohler Model K-2099-\_\_\_\_\_ - \_\_\_\_\_.

## PRODUCT INFORMATION

Fixture*:		basin area	water depth
Lavatory		20" (50.8cm) x 11" (27.9cm)	6-5/8" (16.8cm)
Drain hole	1-3/4" D. (4.4cm)		

\* Approximate measurements for comparison only.

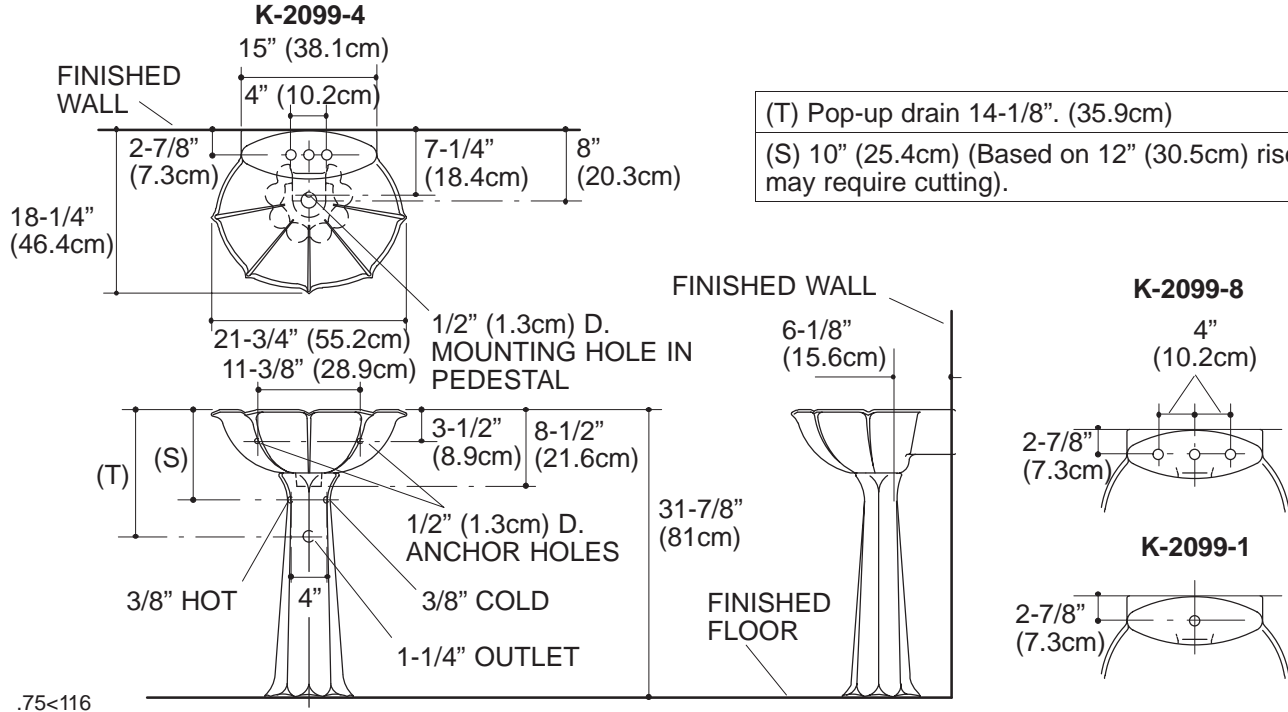
Holes	K-2099-4	K-2099-8	K-2099-1
Spout	1-1/4" D. (3.2cm)	1-3/8" D. (3.5cm)	1-3/8" D. (3.5cm)
Faucet	1-1/4" D. (3.2cm)	1-3/8" D. (3.5cm)	

Included Components:	
Lavatory basin, 4" (10.2cm) centers	K-2230-4
Lavatory basin, 8" (20.3cm) centers	K-2230-8
Lavatory basin, single-hole	K-2230-1
Pedestal	K-2232
Pedestal accessory pack	52204
Rubber pads	63069

## INSTALLATION NOTES

Install this product according to the installation guide.

Fixture dimensions are nominal and conform to tolerances in ASME Standard A112.19.2M.



## PRODUCT DIAGRAM