

**ENTERTAINMENT SINK FAUCET
K-16112**

ADA

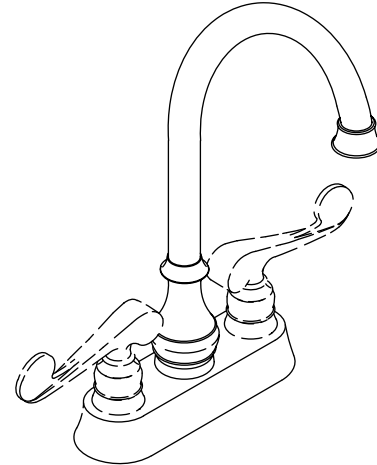
Features

- Brass construction
- Brass valve bodies
- Quarter-turn washerless ceramic disc valves
- For 4" (10.2 cm) centers
- 5-3/16" (13.2 cm) fixed gooseneck spout reach
- 2.2 gallons (8.3 L) per minute
- Lower flow aerator options are available (refer to the Kohler Price Book)
- Available with scroll or traditional handle
- Complements Revival® Suite

Codes/Standards Applicable

Specified model meets or exceeds the following:



- ADA
- ASME A112.18.1
- CSA B125
- IAPMO/UPC
- NSF 61
- Energy Policy Act of 1992 (EPACT)



Colors/Finishes

- CP: Polished Chrome
- BN: Brushed Nickel
- Other: Refer to Price Book for additional colors/finishes

Specified Model:

Model	Description						
K-16112-4	Entertainment sink faucet - scroll handles	<input type="checkbox"/> CP	<input type="checkbox"/> BN	<input type="checkbox"/> Other ____			
K-16112-4A	Entertainment sink faucet - traditional handles				<input type="checkbox"/> CP	<input type="checkbox"/> BN	<input type="checkbox"/> Other ____

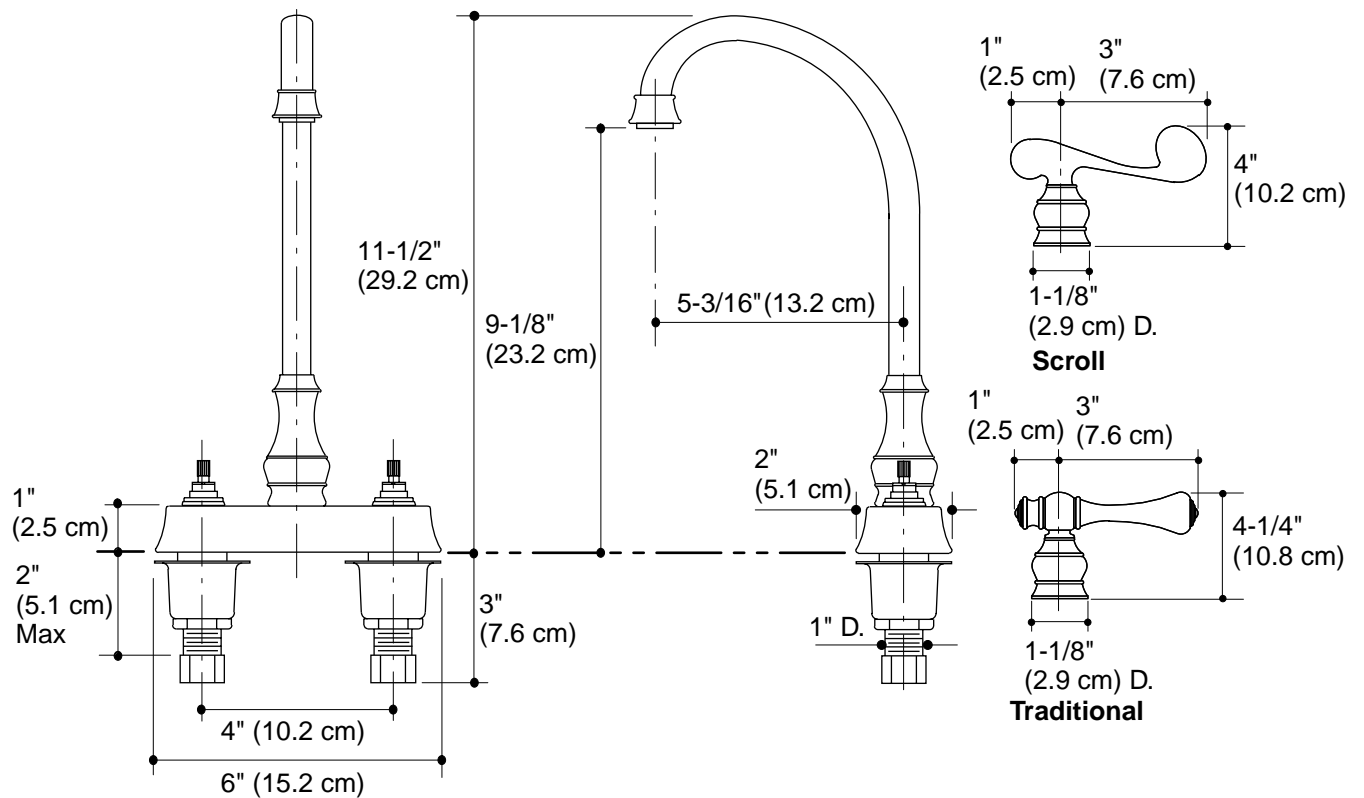
PRODUCT SPECIFICATION

Two-handle centerset entertainment sink faucet shall be of brass construction. Product shall have brass valve bodies. Faucet shall feature quarter-turn washerless ceramic disc valves, assuring positive handle stop positioning. Product shall have 4" (10.2 cm) centers and a 5-3/16" (13.2 cm) fixed gooseneck spout reach. Product shall have a flow rate of 2.2 gallons (8.3 L) per minute with lower flow aerator options available (refer to the Kohler Price Book). Faucet shall be available with and scroll or traditional handles. Product shall complement the Revival Suite. Faucet shall be Kohler Model K-16112-____-____.

REVIVAL®

Installation Notes

Install this product according to the installation guide.



Product Diagram