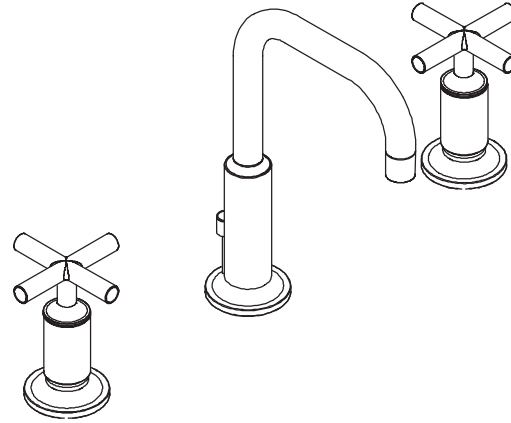


**LAVATORY FAUCET
K-14406
ALSO K-14407**

FEATURES

- Metal construction
- Flexible connections
- Brass valve bodies
- Reversible quarter-turn washerless ceramic disc valves
- 5" (12.7cm) spout
- 2.2 gallons (8.3L) per minute
- Pop-up drain with lift rod and tailpiece
- Cross handles
- Lever handles



CODES/STANDARDS APPLICABLE

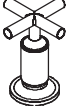
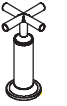

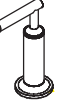
Specified model meets or exceeds the following:

- ASME/ANSI A112.18.1M
- CSA International B125
- Energy Policy Act of 1992
- IAPMO/UPC
- NSF 61

COLORS/FINISHES

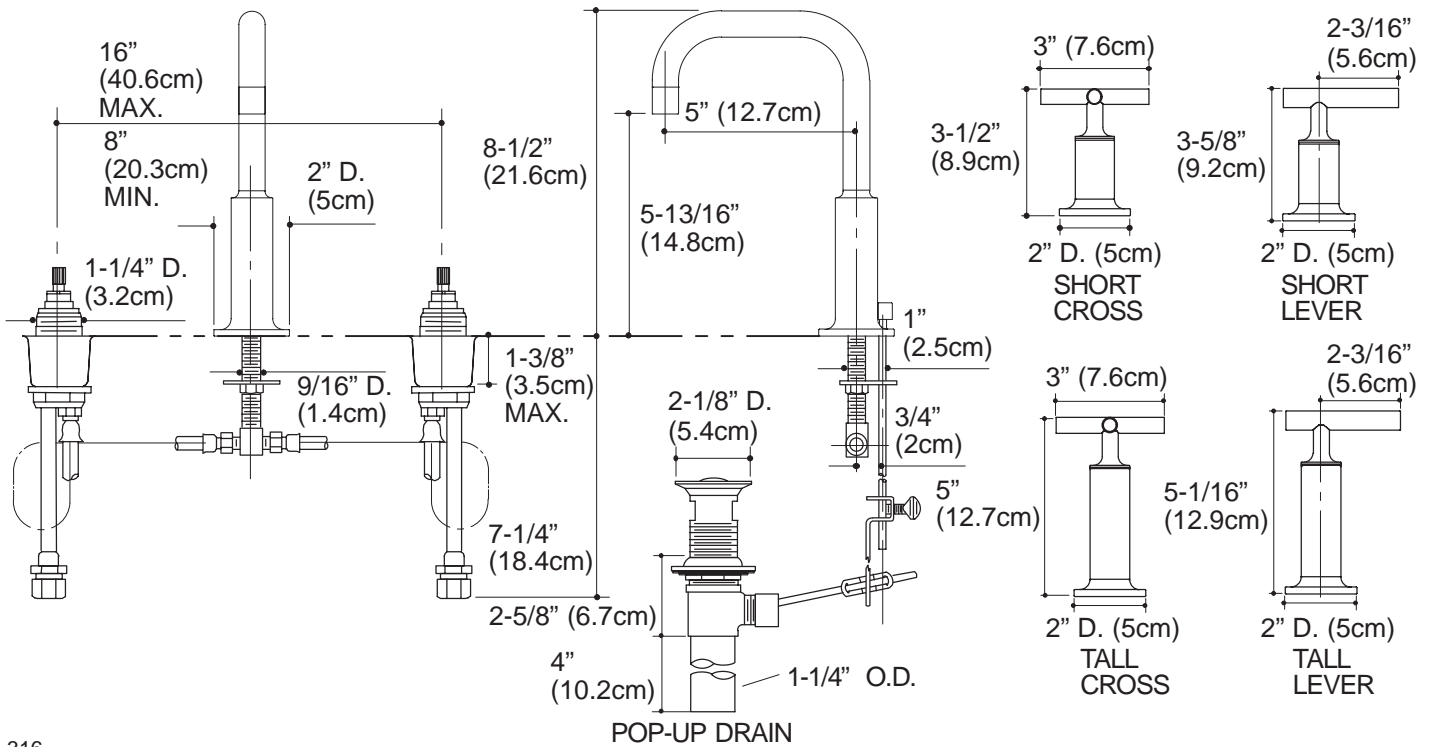
- CP Polished Chrome
- Other Refer to Faucets Price Book for additional finishes

SPECIFIED MODEL:

Model	Description	 ADA	 ADA
K-14406-3	Short Cross Handles (shown)	<input type="checkbox"/> CP <input type="checkbox"/> Other__	
K-14407-3	Tall Cross Handles		<input type="checkbox"/> CP <input type="checkbox"/> Other__
Model	Description	 ADA	 ADA
K-14406-4	Short Lever Handles	<input type="checkbox"/> CP <input type="checkbox"/> Other__	
K-14407-4	Tall Lever Handles		<input type="checkbox"/> CP <input type="checkbox"/> Other__

PRODUCT SPECIFICATION:

Two-handle widespread lavatory faucet shall be of metal construction. Faucet shall feature brass valve bodies. Faucet shall feature reversible quarter-turn washerless ceramic disc valves, assuring positive handle stop positioning. Product shall include flexible connections, 5" (12.7cm) spout, pop-up drain with lift rod and tailpiece, cross and lever handles. Faucet shall be Kohler Model K-_____ - _____ - _____ - _____.



316

PRODUCT DIAGRAM