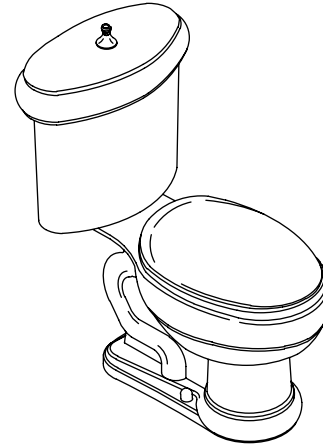


#### Features

- 12" (30.5 cm) rough-in
- 1.6 gpf (6 lpf)
- 2" (5.1 cm) glazed trapway
- Combination toilet
- Includes seat and cover
- Includes polished chrome lift knob
- Less supply
- With Insuliner® insulated tank lining
- Available with KOHLER Artist Editions designs
- Lift knob and seat trim available in a variety of matching colors and finishes
- 10-1/4" (26 cm) x 9-1/8" (23.2 cm) water area



#### Codes/Standards Applicable

Specified model meets or exceeds the following:

- ASME A112.19.2/CSA B45.1

#### Colors/Finishes

- 0: White
- Other: Refer to Price Book for additional colors/finishes

#### Specified Model

Model	Description	Colors/Finishes	
K-3555	Revival toilet with elongated bowl	<input type="checkbox"/> 0	<input type="checkbox"/> Other_____
K-3555-AF	Toilet with French gold lift knob and seat trim	<input type="checkbox"/> 0	<input type="checkbox"/> Other_____
K-3555-BN	Toilet with brushed nickel lift knob and seat trim	<input type="checkbox"/> 0	<input type="checkbox"/> Other_____
K-3555-BR	Toilet with polished brass lift knob and seat trim	<input type="checkbox"/> 0	<input type="checkbox"/> Other_____
K-3555-BV	Toilet with brushed bronze lift knob and seat trim	<input type="checkbox"/> 0	<input type="checkbox"/> Other_____
K-3555-G	Toilet with brushed chrome lift knob and seat trim	<input type="checkbox"/> 0	<input type="checkbox"/> Other_____
K-3555-SN	Toilet with polished nickel lift knob and seat trim	<input type="checkbox"/> 0	<input type="checkbox"/> Other_____
K-3555-U	Toilet with Insuliner® tank lining	<input type="checkbox"/> 0	<input type="checkbox"/> Other_____
K-3555-BU	Toilet with Insuliner®, and brushed nickel lift knob and seat trim	<input type="checkbox"/> 0	<input type="checkbox"/> Other_____
K-3555-GU	Toilet with Insuliner®, and brushed chrome lift knob and seat trim	<input type="checkbox"/> 0	<input type="checkbox"/> Other_____
K-3555-UF	Toilet with Insuliner®, and French gold lift knob and seat trim	<input type="checkbox"/> 0	<input type="checkbox"/> Other_____
K-3555-UN	Toilet with Insuliner®, and brushed nickel lift knob and seat trim	<input type="checkbox"/> 0	<input type="checkbox"/> Other_____
K-3555-US	Toilet with Insuliner®, and polished nickel lift knob and seat trim	<input type="checkbox"/> 0	<input type="checkbox"/> Other_____
K-3555-UV	Toilet with Insuliner®, and brushed bronze lift knob and seat trim	<input type="checkbox"/> 0	<input type="checkbox"/> Other_____

#### Product Specification:

The elongated toilet shall be 12" (30.5 cm) rough-in. Toilet shall be made of vitreous china. Toilet shall have 10-1/4" (26 cm) x 9-1/8" (23.2 cm) water area. Toilet shall have 2" (5.1 cm) glazed trapway. Toilet shall include seat and cover but not supply. Toilet shall be 1.6 gpf (6 lpf). Toilet shall be available with KOHLER Artist Editions designs. The lift knob and toilet seat trim shall be supplied in a color/finish chosen by the customer. Toilet shall be Kohler Model K-3555-\_\_\_\_\_-\_\_\_\_\_.

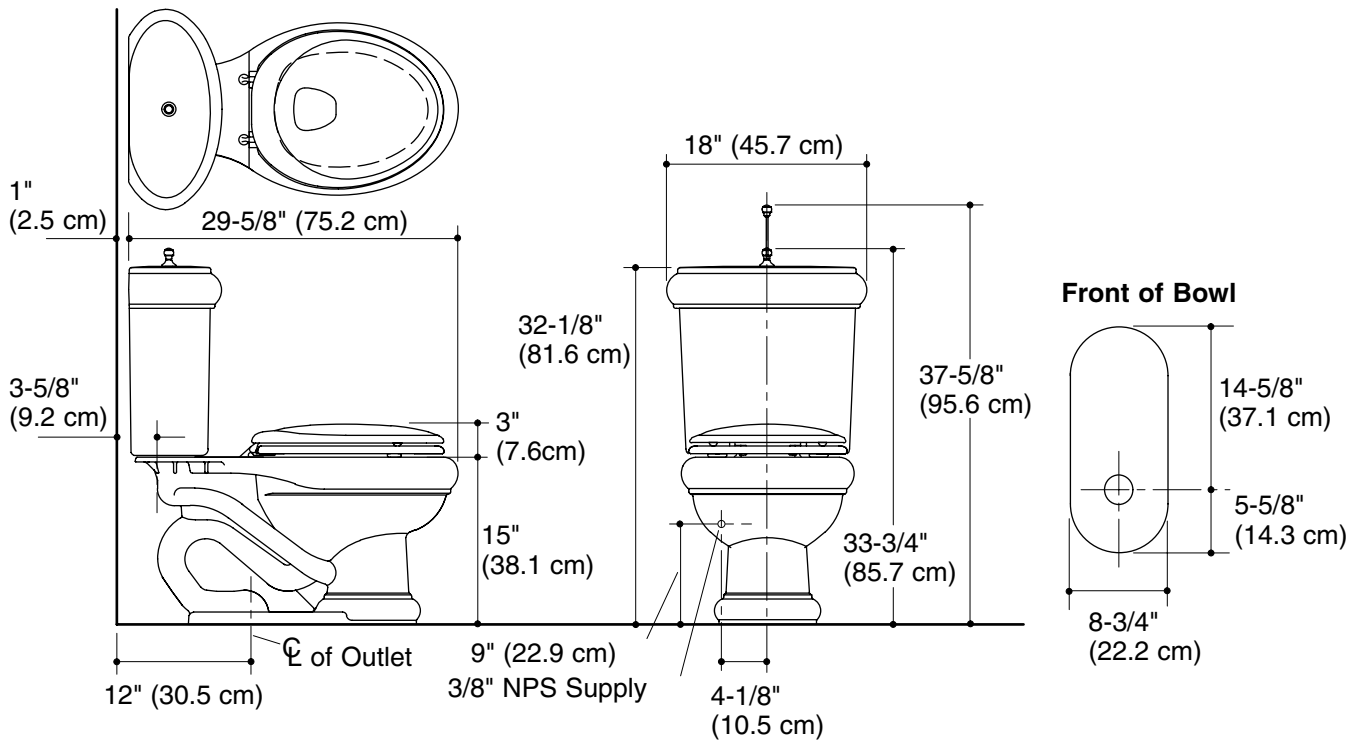
# REVIVAL®

## Technical Information

Fixture:	
Configuration	2-piece, elongated
Water per flush	1.6 gallons (6 L)
Passageway	2" (5.1 cm)
Water area	10-1/4" (26 cm) x 9-1/8" (23.2 cm)
Water depth from rim	6-1/2" (16.5 cm)
Seat post hole centers	5-1/2" (14 cm)
Included Components:	
Bowl	K-4355
Tank	K-3613
Tank cover	83037
Seat	K-4615
Bolt cap accessory pack	52048
Tank accessory pack	52153
Flush actuator	K-9446

## Installation Notes

Install this product according to the installation guide.



## Product Diagram